



0-10V Dimmable LED Drivers—LKAD041D-C

—产品特性/Feature—



- 200-240VAC (50/60Hz) 输入 / 200-240VAC (50/60Hz) Input
- 隔离高PF无频闪方案,。采用最新的调光信号与主输出的隔离调光认证方案 No stroboscopic scheme for high PF isolation, . Using the latest dimming signal and main output isolation dimming certification scheme
- 高效率、高功率因素, 高稳定性, 高调光比 High efficiency, high power factor, high stability, high light ratio
- 短路保护, 过流保护, 过压保护, 过温保护 / Short circuit, over voltage, over current and over temperature protection;
- 独立外置, Class II 恒流类型 / independent, Class II constant current type;
- 防护等级 IP20 / degree of protection IP20;
- 实现了真正的0-10V调光, 全程无频闪, 兼容市场上所有的调光控制系统。

It realizes true 0-10V dimming, no flicker in the whole process, and is compatible with all dimming control systems in the market.

- 3年质保期 / 3 years warranty.



产品参数/Specification

Model		LKAD041D-C	备注
输入 Input	输入电压范围/Input Voltage range	200-240V	
	频率/Frequency	50/60hz	
	谐波/THD	≤10%/240VAC	
	功率因数/Power factor	0.98/240VAC	
	输入电流 Input current (mA)	195MA/230V	
	待机功耗 stand_by power	≤1W	
	浪涌电流 Inrush Current (Max.)	≤30A@240VAC	
	漏电流 Leakage Current	<1MA/240V	
输出 Output	额定电压/Rated voltage	40V	
	空载电压/No-load Voltage	≤46V	
	工作电压范围/working voltage range	5-42V	
	可选择电流规格 /selectable current	1000MA±20MA	
	电流精度/Current precision	(+/-) 2%	
	额定功率/Rated power	15W	
	开机延时/Setup Time	≤0.5s/230VAC	
	输出线性调整率Output Line Regulation	±5%	
	温度漂移temperature drift	±10%	

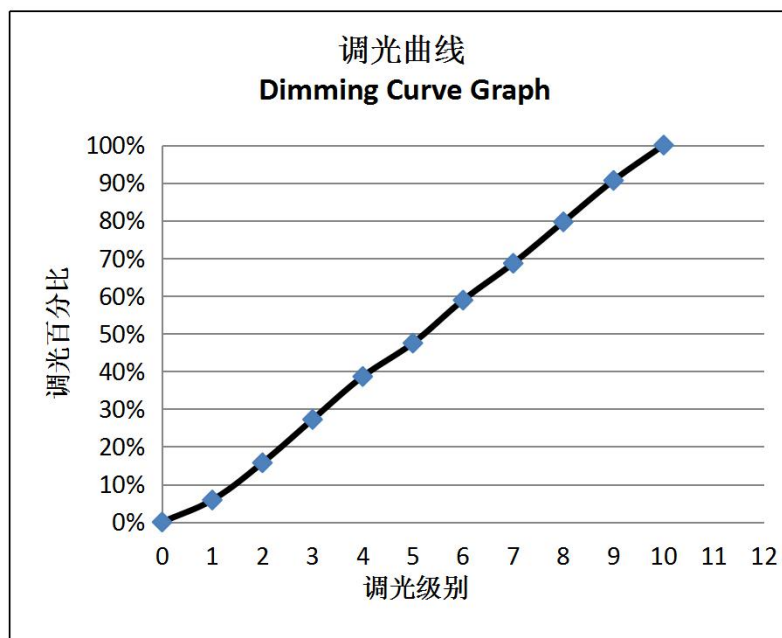
保护特性	开路保护Output open circuit protection	有/Enable	
	短路保护Short Circuit Protection	打嗝模式/Hiccup mode	
使用环境 Environment Requirement	工作温度/湿度要求 Operating Temp./RH	-30~+45℃/20~95%	
	储存温度,湿度要求 Storage Temp./RH	-40~+80℃/10~95%	
安全和电磁兼容 Safety & EMC	认证编号/Certificate	符合CE/ meet CE	
	耐压 withstand voltage	3750VAC/60S	
	绝缘阻抗insulation resistance	500V>100M	
	浪涌等级EMS immunity	IEC6100-4-5 (L-N:1KV)	
	安规标准Safety standard	IEC61347-2-13 EN6147-2-13	
	电磁干扰electromagnetic interference	Fcc Part15B	
	电磁抗干扰 Electromagnetic	Fcc Part15B	
其他 Others	IP等级说明 IP level description	IP20	
	质保说明Warranty instructions	3年/3 years	
	尺寸/Size	162*45*30MM	
	重量/Netweight	100g	
注意事项 matters needing attention	<p>1. 建议客户在灯具供电回路中安装过欠压保护与浪涌保护装置, 以确保用电安全 1. pls suggest the client to instal the unde voltage protection device and surge protection device to ensure Electricity safety</p> <p>2. 电源作为整灯灯具中的一个零部件与终端设备结合使用, 因EMC性能受LED灯具及走线的影响, 终端设备制造商需对整套装置重新进行EMC确认。 2. The power supply is considered a component which will be installed a final equipment. The final equipment must be re-confirmed that it still meets EMC directives.</p> <p>3. 客户在使用电源时, 注意电源通风散热和环境温度, 超过TA时要做降额使用 3. Becareful of ambient temperature and heat dissipation during the client use this unit, When exceeding TA, the power supply shall be derated</p>		

测试数据/Test data

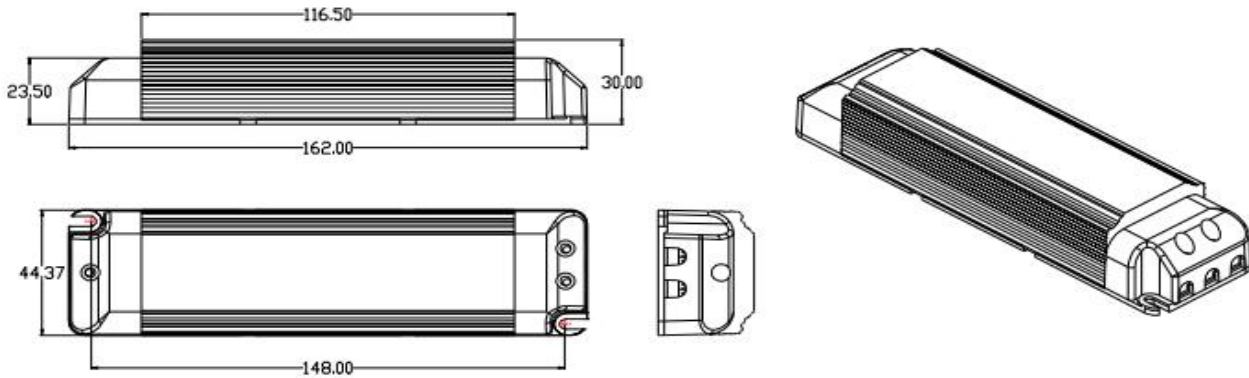
输入电压 Input voltage (Vac)	输入电流 Input current (mA)	输入功率 Input power (W)	功率因数 PF	输出电压 Output voltage (Vdc)	输出电流 Output current (mA)	输出功率 Output Power (W)	转换效率 Efficiency (%)
240V	194.90	46.62	0.983	42.00	991	41.62	89%
	187.70	44.45	0.978	40.00	991	39.64	89%
	165.70	39.16	0.975	35.00	990	34.65	88%
	143.80	33.84	0.971	30.00	990	29.70	88%
	122.40	28.57	0.963	25.00	990	24.75	87%
	101.70	23.32	0.946	20.00	990	19.80	85%
	80.85	18.06	0.921	15.00	990	14.85	82%
	60.89	12.84	0.869	10.00	989	9.89	77%
63.21	7.59	0.494	5.00	989	4.95	65%	

200V	232.80	46.48	0.988	42.00	989	41.54	89%
	195.40	38.99	0.987	35.00	990	34.65	89%
	168.60	33.66	0.987	30.00	990	29.70	88%
	142.60	28.37	0.985	25.00	989	24.73	87%
	116.80	23.10	0.978	20.00	989	19.78	86%
	91.18	17.85	0.968	15.00	989	14.84	83%
	66.33	12.63	0.942	10.00	989	9.89	78%
	64.92	7.42	0.563	5.00	989	4.95	67%

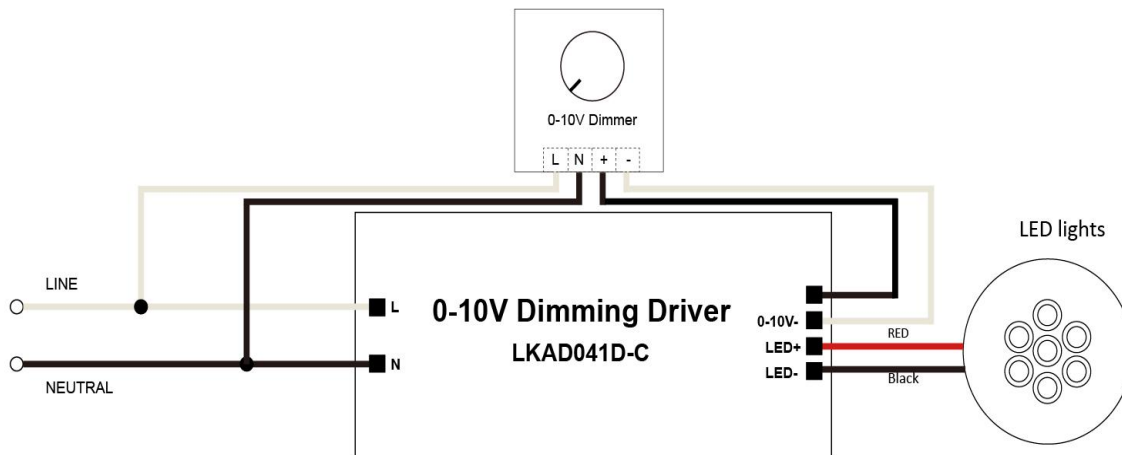
输入电压 Input voltage (Vac)	输入电流 Input current (mA)	输入功率 Input power (W)	功率因数 PF	输出电压 Output voltage (Vdc)	输出电流 Output current (MA)	输出功率 Output Power (W)	调光电压 Dimming voltage (V)	百分比	
240V	12.51	0.53	0.176	38.000	0.00	0.00	0V	0.00%	0
240V	39.01	3.62	0.385	38.000	58.00	2.20	1V	5.85%	1
240V	62.20	7.79	0.518	38.000	156.00	5.93	2V	15.73%	2
240V	57.60	12.4	0.894	38.000	270.00	10.26	3V	27.22%	3
240V	75.53	17.04	0.937	38.000	383.00	14.55	4V	38.61%	4
240V	89.99	20.65	0.952	38.000	471.00	17.90	5V	47.48%	5
240V	108.90	25.34	0.966	38.000	584.00	22.19	6V	58.87%	6
240V	125.00	29.31	0.974	38.000	681.00	25.88	7V	68.65%	7
240V	143.60	33.85	0.979	38.000	790.00	30.02	8V	79.64%	8
240V	162.70	38.44	0.981	38.000	899.00	34.16	9V	90.63%	9
240V	179.00	42.35	0.983	38.000	992.00	37.70	10V	100.00%	10



产品尺寸图/ Product Size Diagram



产品接线示意图/ Product Connection Diagram



备注/Note:

"1. 所有没提及到的参数都是在230V输入，额定负载和在周围温度为25°C的情况下测试的；
All parameters NOT specially mentioned are measured at 230VAC input, rated load and 25 of ambient temperature;

2. 注意接线的方向，不要搞反输入和输出端。

Pay attention to the direction of wiring, do not reverse the input and output terminals,.

广东领冠智能科技有限公司

Guangdong Linkuan Smart Tech Co.,Ltd.

地 址：广东省东莞市万江区大莲塘工业区3号

Address: NO.3 Building, Daliantang Industrial Park,
Wanjiang

District,Dongguan,Guangdong,China

Tel:+86-769-23129651

Fax:+86-23129652