

## —产品特性/Feature—

- 120-240VAC (50/60Hz) 输入 / 120-240VAC (50/60Hz) Input
- 隔离高PF无频闪方案, 2.4G射频频遥控控制。  
Isolated high PF no stroboscopic scheme, 2.4G RF remote control
- 高效率、高功率因素, 高稳定性, 高调光比  
High efficiency, high power factor, high stability, high light ratio
- 短路保护, 过流保护, 过压保护, 过温保护/  
Short circuit, over voltage, over current and over temperature protection;
- 遥控控制性能稳定, 任何角度方向都可以控制。控制距离在空旷场地可以达35米, 在有障碍物的地方可以达到15-20米。  
Remote control performance is stable, any angle direction can be controlled. The control distance can be up to 35 meters in open field and 15-20 meters in places with obstacles.
- 独立外置, Class II 恒流类型 / independent, Class II constant current type;
- 防护等级 IP20 / degree of protection IP20;
- 采用自主知识产权单片机控制方案, 可以做到0.1%调光解晰度 / By adopting the control scheme of single chip microcomputer with independent intellectual property rights, 0.1% dimming resolution can be achieved
- lighting, ceiling light, down light and panel light;
- 3年质保期 / 3 years warranty.



## 产品参数/Specification

Model		LKAD039D-A	备注
输入 Input	输入电压范围/Input Voltage range	120-240V	
	频率/Frequency	50/60hz	
	谐波/THD	≤10%	
	功率因数/Power factor	0.95/240VAC	
	输入电流 Input current (mA)	450MA/120VAC	
	待机功耗 stand_by power	≤0.8W	
	浪涌电流 Inrush Current (Max.)	≤30A@240VAC	
	漏电流 Leakage Current	<1MA/240VAC	
输出 Output	额定电压/Rated voltage	40V	
	空载电压/No-load Voltage	≤46V	
	工作电压范围/working voltage range	10-42V	
	额定电流规格/Rated current specification	1000MA	
	电流精度/Current precision	(+/-) 3%	
	额定功率/Rated power	40W	
	开机延时/Setup Time	≤0.5s/230VAC	
	输出线性调整率Output Line Regulation	±5%	
	温度漂移temperature drift	±10%	

保护特性	开路保护Output open circuit protection	有/Enable	
	短路保护Short Circuit Protection	打嗝模式/Hiccup mode	
使用环境 Environment Requirements	工作温度/湿度要求 Operating Temp./RH	-30~+45℃/20~95%	
	储存温度,湿度要求 Storage Temp./RH	-40~+80℃/10~95%	
安全和电磁兼容 Safety & EMC	认证编号/Certificate	符合CE/ meet CE	
	耐压 withstand voltage	3750Vac/60S	
	绝缘阻抗insulation resistance	500V>100M	
	浪涌等级EMS immunity	IEC6100-4-5(L-N:1KV)	
	安规标准Safety standard	EN61347, GB19510	
	电磁干扰electromagnetic interference	EN55015, EN61000-3-2	
	电磁抗干扰Electromagnetic Susceptibility	EN61000-4-2. 3. 4. 5. 6. 8. 11. EN61547	
其他 Others	IP等级说明 IP level description	IP20	
	质保说明Warranty instructions	3年/3 years	
	尺寸/Size	135*45*25MM	
	重量/Netweight		
注意事项 matters needing attention	<p>1. 建议客户在灯具供电回路中安装过欠压保护与浪涌保护装置, 以确保用电安全 1.pls suggest the client to instal the unde voltage protection device and surge protection device to ensure Electricity safety</p> <p>2. 电源作为整灯灯具中的一个零部件与终端设备结合使用, 因EMC性能受LED灯具及走线的影响, 终端设备制造商需对整套装置重新进行EMC确认。 2.The power supply is considered a component which will be installed a final equipment.The final equipment must be re-confirmed that it still meets EMC directives.</p> <p>3. 客户在使用电源时, 注意电源通风散热和环境温度, 超过TA时要做降额使用 3.Becareful of ambient temperature and heat dissipation during the client use this</p>		

### W-通道测试数据/Test data

输入电压 Input voltage ( Vac)	输入电流 Input current ( mA)	输入功率 Input power ( W)	功率因数 PF	输出电压 Output voltage ( Vdc)	输出电流 Output current ( mA)	输出功率 Output Power ( W)	转换效率 Efficiency (%)
120V	405.30	47.61	0.990	40.00	978	39.12	82.2%
	300.20	35.30	0.997	30.00	976	29.28	82.9%
	202.50	23.79	0.996	20.00	980	19.60	82.4%
	108.50	12.62	0.990	10.00	988	9.88	78.3%
200V	223.40	45.20	0.993	40.00	981	39.24	86.8%
	169.50	33.89	0.986	30.00	977	29.31	86.5%
	117.20	23.21	0.977	20.00	981	19.62	84.5%
	66.01	12.57	0.940	10.00	988	9.88	78.6%
240V	188.70	44.85	0.987	40.00	983	39.32	87.7%
	143.80	33.91	0.979	30.00	979	29.37	86.6%
	100.60	23.26	0.960	20.00	982	19.64	84.4%
	58.79	12.65	0.893	10.00	988	9.88	78.1%

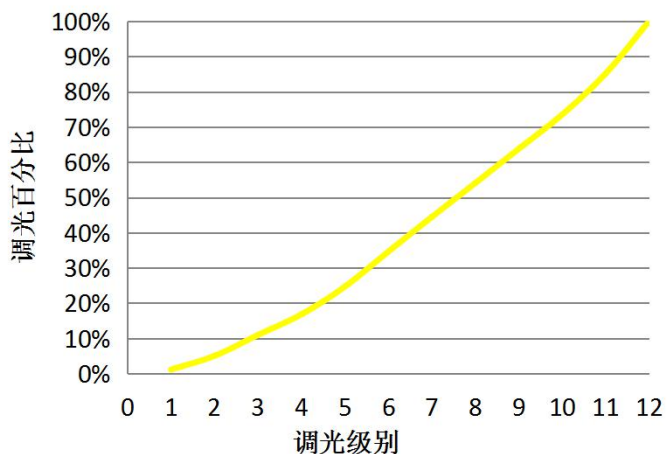
C-通道测试数据/Test data

输入电压 Input voltage ( Vac)	输入电流 Input current ( mA)	输入功率 Input power ( W)	功率因数 PF	输出电压 Output voltage	输出电流 Output current	输出功率 Output Power	转换效率 Efficiency (%)
120V	405.30	47.61	0.990	40.00	978	39.12	82.2%
	300.20	35.30	0.997	30.00	976	29.28	82.9%
	202.50	23.79	0.996	20.00	980	19.60	82.4%
	108.50	12.62	0.990	10.00	988	9.88	78.3%
200V	223.40	45.20	0.993	40.00	981	39.24	86.8%
	169.50	33.89	0.986	30.00	977	29.31	86.5%
	117.20	23.21	0.977	20.00	981	19.62	84.5%
	66.01	12.57	0.940	10.00	988	9.88	78.6%
240V	188.70	44.85	0.987	40.00	983	39.32	87.7%
	143.80	33.91	0.979	30.00	979	29.37	86.6%
	100.60	23.26	0.960	20.00	982	19.64	84.4%
	58.79	12.65	0.893	10.00	988	9.88	78.1%

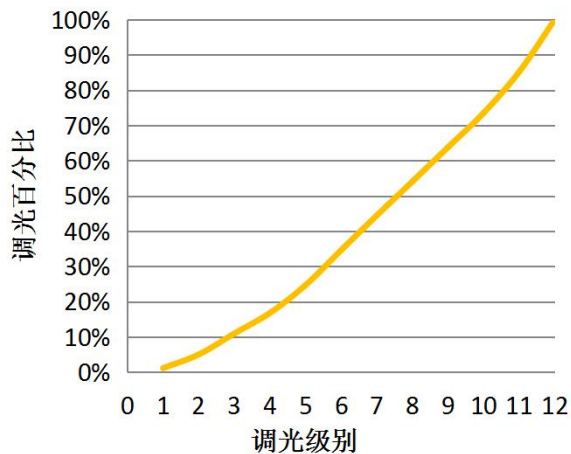
调光测试数据Dimming test data

C-通道输入电压 Input voltage ( Vac)	C-通道输出电压 Output voltage	C-通道输出电流 Output current ( mA)	C-通道百分比	W-通道输入电压 Input	W-通道输出电压 Output voltage	W-通道输出电流 Output	W-通道百分比	调光级别 Level
240V	40.00	11.00	1.13%	240V	40.00	11.00	1.13%	1
240V	40.00	49.00	5.02%	240V	40.00	49.00	5.02%	2
240V	40.00	107.00	10.95%	240V	40.00	107.00	10.95%	3
240V	40.00	164.00	16.79%	240V	40.00	164.00	16.79%	4
240V	40.00	241.00	24.67%	240V	40.00	241.00	24.67%	5
240V	40.00	338.00	34.60%	240V	40.00	338.00	34.60%	6
240V	40.00	434.00	44.42%	240V	40.00	434.00	44.42%	7
240V	40.00	528.00	54.04%	240V	40.00	528.00	54.04%	8
240V	40.00	623.00	63.77%	240V	40.00	623.00	63.77%	9
240V	40.00	718.00	73.49%	240V	40.00	718.00	73.49%	10
240V	40.00	832.00	85.16%	240V	40.00	832.00	85.16%	11
240V	40.00	977.00	100.00%	240V	40.00	977.00	100.00%	12

C-通道调光曲线  
C channel Dimming Curve Graph

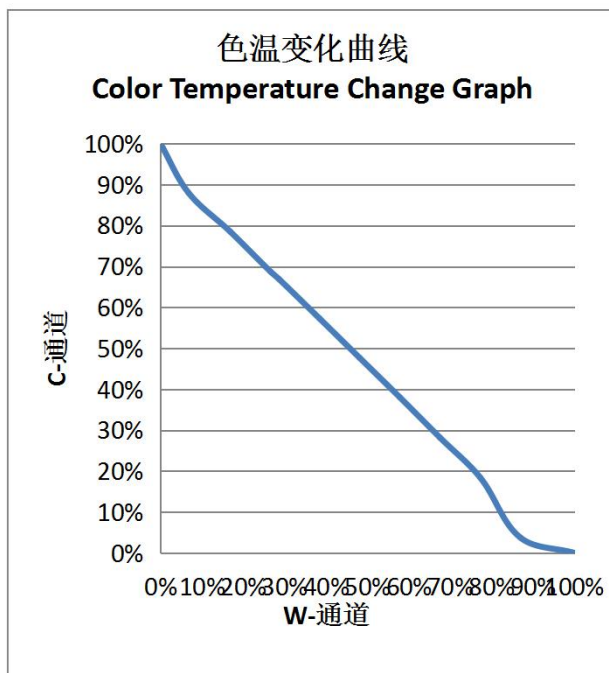


W-通道调光曲线  
W channel Dimming Curve Graph

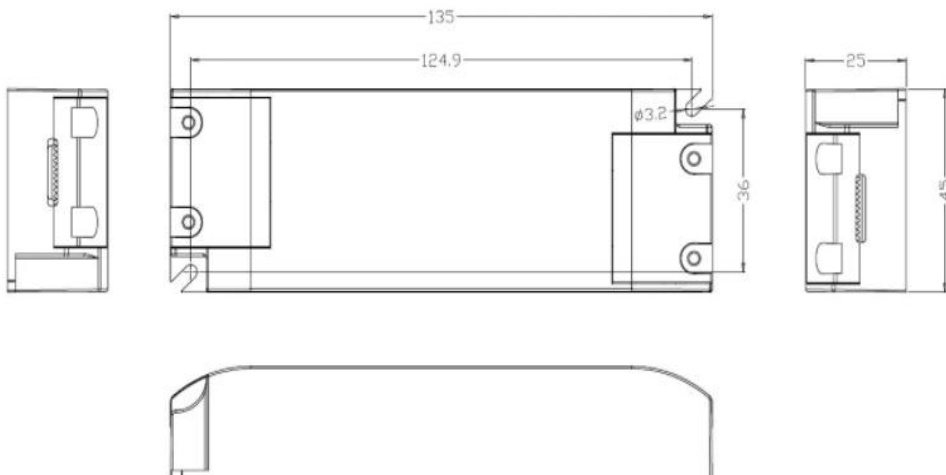


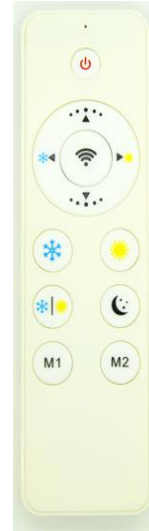
## 调色测试数据Dimming test data

C-通道输入电压 Input voltage ( Vac)	C-通道输出电压 Output voltage	C-通道输出电流 Output current ( mA)	C-通道百分比	W-通道输入电压 Input	W-通道输出电压 Output voltage	W-通道输出电流 Output	W-通道百分比
240V	40.00	0.00	0.00%	240V	40.00	979.00	100.00%
240V	40.00	35.00	3.75%	240V	40.00	851.00	86.93%
240V	40.00	172.00	18.42%	240V	40.00	756.00	77.22%
240V	40.00	263.00	28.16%	240V	40.00	661.00	67.52%
240V	40.00	355.00	38.01%	240V	40.00	566.00	57.81%
240V	40.00	445.00	47.64%	240V	40.00	471.00	48.11%
240V	40.00	535.00	57.28%	240V	40.00	376.00	38.41%
240V	40.00	625.00	66.92%	240V	40.00	280.00	28.60%
240V	40.00	642.00	68.74%	240V	40.00	260.00	26.56%
240V	40.00	733.00	78.48%	240V	40.00	165.00	16.85%
240V	40.00	822.00	88.01%	240V	40.00	66.00	6.74%
240V	40.00	934.00	100.00%	240V	40.00	0.00	0.00%



## 产品尺寸图/ Product Size Diagram





备注/Note:

1. 所有没提及到的参数都是在230V输入，额定负载和在周围温度为25°C的情况下测试的；  
All parameters NOT specially mentioned are measured at 230VAC input, rated load and 25 of ambient temperature;
2. 注意接线的方向，不要搞反输入和输出端  
Pay attention to the direction of wiring, do not reverse the input and output terminals,.

## 广东领冠智能科技有限公司

Guangdong Linkuan Smart Tech Co.,Ltd.

地 址：广东省东莞市万江区大莲塘工业区3号  
Address: NO.3 Building, Daliantang Industrial Park,  
Wanjiang  
District, Dongguan, Guangdong, China  
Tel:+86-769-23129651 Fax:+86-23129652