

## —产品特性/Feature—



- 200-265VAC(50/60Hz)输入/ 200-265VAC(50/60Hz) Input
- 集成2.4G无线遥控功能/ 2.4G wireless remote;
- 调光调色温/Brightness and color temperature adjustable;
- 高效率、高功率因素、无频闪、稳定性好/ High efficiency, high PF, non-flicker, good steady;
- 短路保护, 开路保护, 过流保护, 过温保护/ Short circuit, open LED, over current and over temperature protection;
- 自然风冷/ cooling by free air convection;
- 100%满载老化测试/ 100% full load burn-in test;
- 独立外置, Class II 恒流类型/ Independent, Class II constant current type;
- 防护等级 IP20/ degree of protection IP20;
- 适用于面板灯/天花灯/筒灯等照明应用/ suitable for LED lighting, ceiling light, down light and panel light;
- 3年质保期/ 3 years warranty.



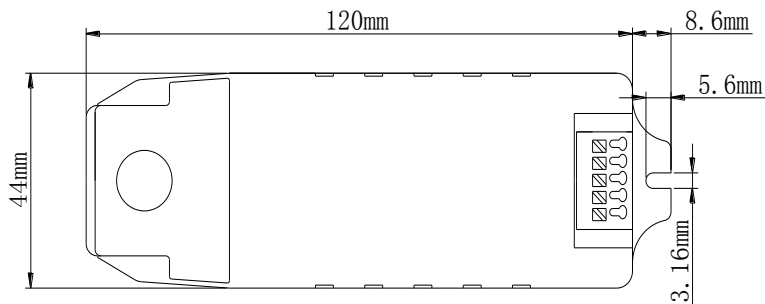
## 产品参数/Specification

Model	LKAD032D-A	
输入 Input	AC电压范围/AC Voltage range	200-265V
	频率/Frequency	50/60hz
	谐波/THD	---
	功率因数/Power factor	0.95/240VAC
输出 Output	额定电压/Rated voltage	40V
	空载电压/No-load Voltage	42V
	DC电压范围/DC voltage range	30-40V
	DC电流范围/DC current range	600mA
	电流精度/Current precision	(+/-)3%
	额定功率/Rated power	24W
	开机延时/Setup Time	≤0.5s/230VAC
使用环境 Environment Requirements	工作温度/湿度要求 Operating Temp./RH	-30~+45°C/20~95%
	储存温度, 湿度要求 Storage Temp./RH	-40~+80°C/10~95%
安全和电磁兼容	认证编号/Certificate	---
其他	尺寸/Size	113x44x28mm
	重量/Net weight	---

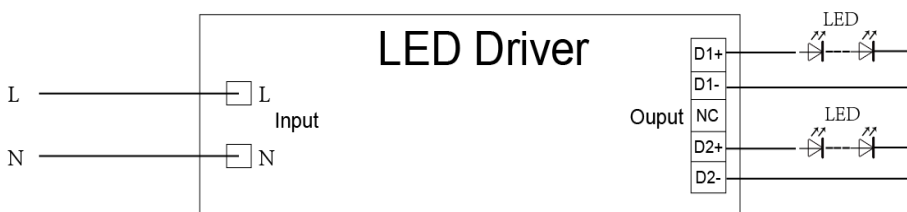
测试数据/Test data

输入电压 Input voltage (Vac)	输入电流 Input current (mA)	输入功率 Input power (W)	功率因数 PF	输出电压 Output voltage (Vdc)	输出电流 Output current (mA)	输出功率 Output Power (W)	转换效率 Efficiency (%)
200	106.20	20.64	0.965	30.00	597	17.91	86.8%
	125.50	24.55	0.973	36.00	595	21.42	87.3%
	137.70	26.99	0.971	40.00	592	23.68	87.7%
240	90.83	20.79	0.940	30.00	598	17.94	86.3%
	106.50	24.63	0.949	36.00	597	21.49	87.3%
	116.40	27.13	0.956	40.00	594	23.76	87.6%
265	84.90	20.82	0.920	30.00	600	18.00	86.5%
	98.90	24.64	0.935	36.00	596	21.46	87.1%
	108.10	27.06	0.940	40.00	593	23.72	87.7%

产品尺寸图/ Product Size Diagram



产品接线示意图/ Product Connection Diagram



备注/Note:

- 所有没提及到的参数都是在230V输入，额定负载和在周围温度为25℃的情况下测试的；  
All parameters NOT specially mentioned are measured at 230VAC input, rated load and 25 of ambient temperature;
- 本驱动电源是作为一个部件与最终的设备结合进行操作的。因为EMC的性能在电源完全安装后会受到影响，因此最终设备制造商在完成安装后必须重新获取EMC指示认定。  
The LED driver is considered as a component that will be operated in combination with final equipment. Since EMC performance will be affected by the complete installation, the final equipment manufacturers must re-qualify EMC Directive on the complete installation again.

3. 可以直接与LEDs连接，但不适宜与额外的驱动电源使用；  
Direct connecting to LEDs is suggested, but is not suitable for using additional drivers.
4. 为了满足在灯具安装中最后的Erp校准要求，本驱动电源只能在一个不是永久地连接在交流干线的开关后面使用。  
To fulfill requirements of the latest ErP regulation for lighting fixtures, this LED power supply can only be used behind a switch  
without permanently connect to the mains.

## 广东领冠智能科技有限公司

Guangdong Linkuan Smart Tech Co.,Ltd.

地 址：广东省东莞市万江区大莲塘工业区3号  
Address: NO.3 Building, Daliantang Industrial Park,  
Wanjiang District, Dongguan, Guangdong, China  
Tel:+86-769-23129651 Fax:+86-23129652