

0-10V Dimmable LED Drivers—LKAD380P

—产品特性/Feature—



- 120-240VAC (50/60Hz) 输入 / 120-240VAC (50/60Hz) Input
- 隔离方案, 0-10V调光和可控硅一体, 无频闪 / Isolated, 0-10V dimming and Triac . integrated, no flicker
- 高效率, 稳定性好 / High efficiency, , good steady;
- 短路保护, 过流保护, 过压保护 / short circuit/over load/over current/ ;
 - 调光流畅, 兼容市面上主流的调光控制系统 / Smooth dimming, compatible with the mainstream dimming control system on the market
- 100%满载老化测试 / 100% full load burn-in test;
- 独立外置, ClassI恒流类型 / independent, ClassI constant current type;
- 防护等级 IP65导热硅胶散热 / Protection grade IP65 heat conduction silica gel heat dissipation .
- 3年质保期 / 3 years warranty.



产品参数/Specification

Model		LKAD380P	备注
输入 Input	输入电压范围/Input Voltage range	120-240V	
	频率/Frequency	50/60hz	
	谐波/THD	≤10%/240VAC	
	功率因数/Power factor	>0.98	
	输入电流 Input current (mA)	1990MA	
	待机功耗 stand_by power	≤1.6W	
	浪涌电流 Inrush Current (Max.)	≤30A@240VAC	
	漏电流 Leakage Current	<1MA/240V	
输出 Output	额定电压/Rated voltage	23.6V	
	空载电压/No-load Voltage	24V	
	工作电流范围/Operating current	0-18A	
	额定电流/Rated current	18A	
	电压精度/Voltage accuracy	(+/-) 1%	
	额定功率/Rated power	400W	
	开机延时/Setup Time	≤0.5s/230VAC	
	输出线性调整率Output Line Regu	±2%	
	温度漂移temperature drift	±5%	

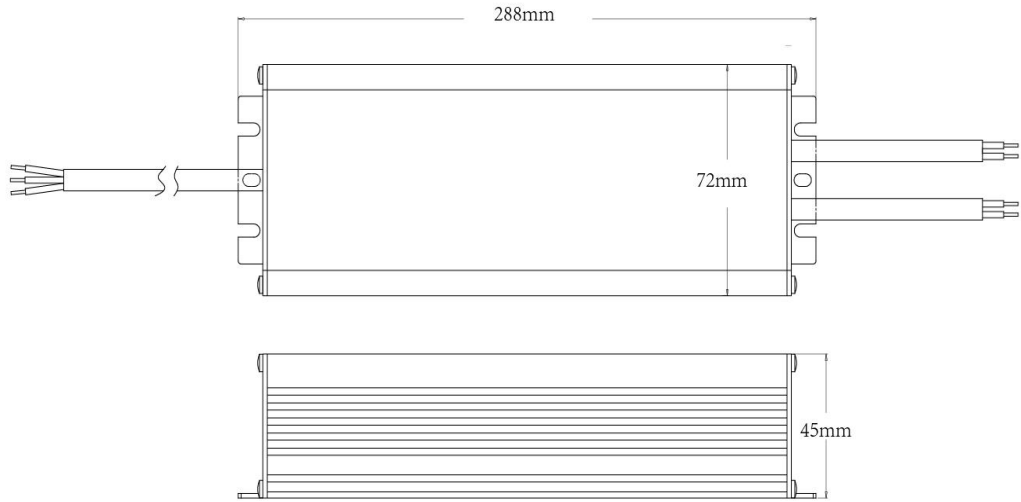
保护特性	开路保护Output open circuit protection	有 Enable	
	短路保护Short Circuit Protection	打嗝模式/Hiccup mode	
使用环境 Environment Requirement	工作温度/湿度要求 Operating Temp./RH	-30~+45℃/20~95%	
	储存温度, 湿度要求 Storage Temp./RH	-40~+80℃/10~95%	
安全和电磁兼容 Safety & EMC	认证编号/Certificate	符合CE	
	耐压 withstand voltage	4KV	
	绝缘阻抗insulation resistance	500V>100M	
	浪涌等级EMS immunity	IEC6100-4-5 (L-N:1KV)	
	安规标准Safety standard	EN61347, GB19510	
	电磁干扰electromagnetic interference	EN55015, EN61000-3-2	
	电磁抗干扰Electromagnetic Susceptibility	EN61000-4-2. 3. 4. 5. 6. 8. 11. EN61547	
其他 Others	IP等级说明 IP level description	IP65	
	质保说明Warranty instructions	3年/3 years	
	尺寸/Size	288x72x45mm	
	重量/Netweight		
注意事项 matters needing attention	<p>1. 建议客户在灯具供电回路中安装过欠压保护与浪涌保护装置，以确保用电安全 1. pls suggest the client to install the under voltage protection device and surge protection device to ensure Electricity safety</p> <p>2. 电源作为整灯灯具中的一个零部件与终端设备结合使用，因EMC性能受LED灯具及走线的影响，终端设备制造商需对整套装置重新进行EMC确认。 2. The power supply is considered a component which will be installed a final equipment. The final equipment must be re-confirmed that it still meets EMC directives.</p> <p>3. 客户在使用电源时，注意电源通风散热和环境温度，超过TA时要做降额使用 3. Be careful of ambient temperature and heat dissipation during the client use this unit, When exceeding TA, the power supply shall be derated</p>		

测试数据/Test data

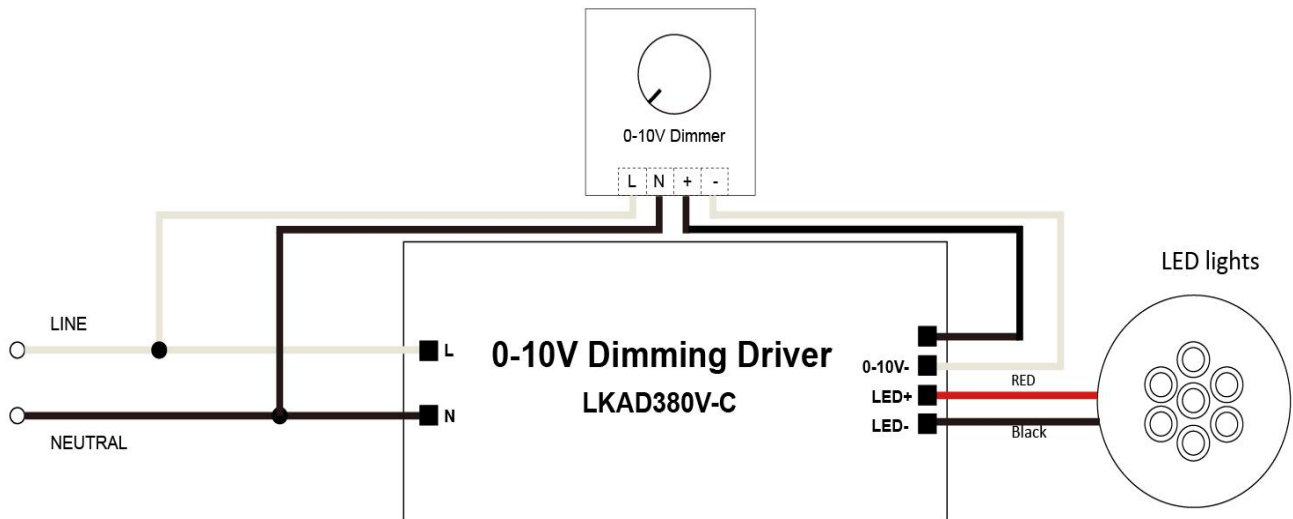
输入电压 Input voltage (Vac)	输入电流 Input current (mA)	输入功率 Input power (W)	功率因数 PF	输出电压 Output voltage (Vdc)	输出电流 Output current (mA)	输出功率 Output Power (W)	转换效率 Efficiency (%)
240V	1997.00	467.900	0.987	23.63	18000	425.34	90.90%
	1664.00	387.700	0.982	23.66	15000	354.90	91.54%
	1336.00	308.700	0.973	23.76	12000	285.12	92.36%
	1123.00	256.500	0.963	23.80	10000	238.00	92.79%
	911.20	205.200	0.948	23.85	8000	190.80	92.98%
	602.70	130.200	0.910	23.88	5000	119.40	91.71%
	169.80	28.850	0.715	23.96	1000	23.96	83.05%
	49.00	1.600	0.000	24.03	0	0.00	0.00%

120V	2890.00	350.500	0.999	23.76	13000	308.88	88.13%
	2440.00	296.000	0.996	23.80	11000	261.80	88.45%
	1976.00	240.100	0.994	23.84	9000	214.56	89.36%
	1333.00	159.800	0.987	23.87	6000	143.22	89.62%
	895.00	106.700	0.979	23.94	4000	95.76	89.75%
	257.20	29.200	0.931	24.01	1000	24.01	82.23%
	70.00	1.770	0.000	24.03	0	0.00	0.00%

产品尺寸图/ Product Size Diagram



产品接线示意图/ Product Connection Diagram



备注/Note:

"1. 所有没提及到的参数都是在230V输入，额定负载和在周围温度为25°C的情况下测试的；
All parameters NOT specially mentioned are measured at 120VAC input, rated load and 25 of ambient temperature;

2.注意接线的方向，不要搞反输入和输出端，
Pay attention to the direction of wiring, do not reverse the input and output terminals,

广东领冠智能科技有限公司

Guangdong Linkuan Smart Tech Co.,Ltd

地 址：广东省东莞市万江区大莲塘工业区3号
Address: NO.3 Building, Daliantang Industrial Park,
Wanjiang

District,Dongguan,Guangdong,China

Tel:+86-769-23129651

Fax:+86-23129652