

领冠电源 调光专家 随“芯”所调 客户至上



领冠电源

LINKUAN DRIVER

0-10V Dimmable LED Drivers—LKAD200V-C



CE RoHS

—产品特性/Feature—

- 220-265VAC (50/60Hz) 输入 / 220-265VAC (50/60Hz) Input
- 隔离方案, 0-10V调光, 无频闪 / Isolated, 0-10V dimming, no flicker
- 高效率、高功率因素, 稳定性好 / High efficiency, high PF, good steady;
- 短路保护, 过流保护, 过压保护 / short circuit/over load/over current/ ;
- 调光流畅, 兼容性好 / smooth dimming, good compatibility
- 自然风冷 / cooling by free air convection;
- 100%满载老化测试 / 100% full load burn-in test;
- 独立外置, Class II 恒流类型 / independent, Class II constant current type;
- 防护等级 IP20 / degree of protection IP20;
- 适用于面板灯/天花灯/筒灯等照明应用 / suitable for LED lighting, ceiling light, down light and panel light;
- 3年质保期 / 3 years warranty.

产品参数/Specification

| Model | LKAD200V-C | |
|-------------------------------------|---------------------------------|---------------------------|
| 输入 Input | AC电压范围/AC Voltage range | 220-265V |
| | 频率/Frequency | 50/60hz |
| | 谐波/THD | ≤8%/230VAC |
| | 功率因数/Power factor | 0.6 |
| 输出 Output | 额定电压/Rated voltage | 12V |
| | 空载电压/No-load Voltage | 12V |
| | DC电压范围/DC voltage range | 12V |
| | DC电流范围/DC current range | 10000-16000mA |
| | 电流精度/Current precision | (+/-)4% |
| | 额定功率/Rated power | 188W |
| | 输入纹波/Output ripple | <200mV |
| | 开机延时/Setup Time | ≤0.5s/230VAC |
| 使用环境 Environment Requirements | 工作温度/湿度要求 Operating Temp./RH | -30~+45℃/20~95% |
| | 储存温度, 湿度要求 Storage Temp./RH | -40~+80℃/10~95% |
| 安全和电磁兼容 | 认证编号/Certificate | IEC61347-2-13 EN6147-2-13 |
| | | EN55015 |
| | | Fcc Part15B |
| 其他 | 尺寸/Size | |
| | 重量/Net weight | / |

测试数据/Test data

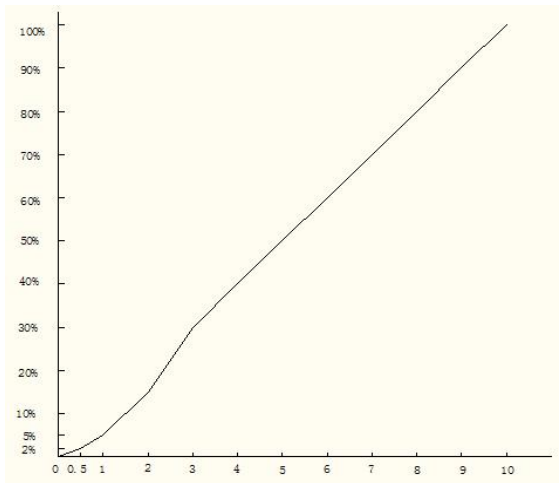
| 输入电压 Input voltage (Vac) | 输入电流 Input current (mA) | 输入功率 Input power (W) | 功率因数 PF | 输出电压 Output voltage (Vdc) | 输出电流 Output current (mA) | 输出功率 Output Power (W) | 转换效率 Efficiency (%) |
|--------------------------------|-------------------------------|----------------------------|------------|---------------------------------|--------------------------------|-----------------------------|---------------------------|
| 220V | 18.151 | 1.11 | 0.298 | 11.85 | 0 | 0.00 | 0.00% |
| | 975.700 | 134.90 | 0.675 | 11.85 | 10000 | 118.50 | 12.15% |
| | 1497.500 | 215.65 | 0.704 | 11.77 | 16000 | 188.32 | 12.58% |
| 240V | 18.084 | 1.65 | 0.380 | 11.97 | 0 | 0.00 | 0.00% |
| | 854.200 | 135.14 | 0.654 | 11.84 | 10000 | 118.40 | 13.86% |
| | 1361.700 | 215.48 | 0.691 | 11.78 | 16000 | 188.48 | 13.84% |
| 265V | 19.045 | 1.78 | 0.355 | 11.96 | 0 | 0.00 | 0.00% |
| | 803.000 | 135.52 | 0.645 | 11.84 | 10000 | 118.40 | 14.74% |
| | 1210.000 | 215.32 | 0.670 | 11.78 | 16000 | 188.48 | 15.58% |

调光测试数据Dimming test data

| 输入电压 Input voltage (Vac) | 输入电流 Input current (mA) | 输入功率 Input power (W) | 功率因数 PF | 输出电压 Output voltage (Vdc) | 输出电流 Output current (mA) | 输出功率 Output Power (W) | 调光电压 Dimming voltage (V) |
|--------------------------------|-------------------------------|----------------------------|------------|---------------------------------|--------------------------------|-----------------------------|--------------------------------|
| 230 | 16.650 | 1.26 | 0.326 | 0.50 | 0.00 | 0.00 | 0 |
| 230 | 60.230 | 6.93 | 0.493 | 6.88 | 656.00 | 4.51 | 0.5 |
| 230 | 120.900 | 14.90 | 0.528 | 6.98 | 1025.00 | 7.15 | 1 |
| 230 | 222.000 | 29.08 | 0.663 | 7.29 | 2306 | 16.81 | 2 |
| 230 | 313.900 | 42.74 | 0.586 | 7.63 | 3623 | 27.64 | 3 |
| 230 | 410.900 | 57.88 | 0.605 | 8.13 | 4948 | 40.23 | 4 |
| 230 | 503.500 | 72.61 | 0.619 | 8.73 | 6114 | 53.38 | 5 |
| 230 | 602.000 | 88.66 | 0.631 | 9.27 | 7375 | 68.37 | 6 |
| 230 | 702.000 | 104.29 | 0.641 | 9.89 | 8636 | 85.41 | 7 |
| 230 | 813.100 | 123.31 | 0.652 | 10.51 | 10000 | 105.10 | 8 |
| 230 | 912.400 | 139.55 | 0.659 | 11.13 | 11311 | 125.89 | 9 |
| 230 | 1053.800 | 164.44 | 0.669 | 11.81 | 12233 | 144.47 | 10 |

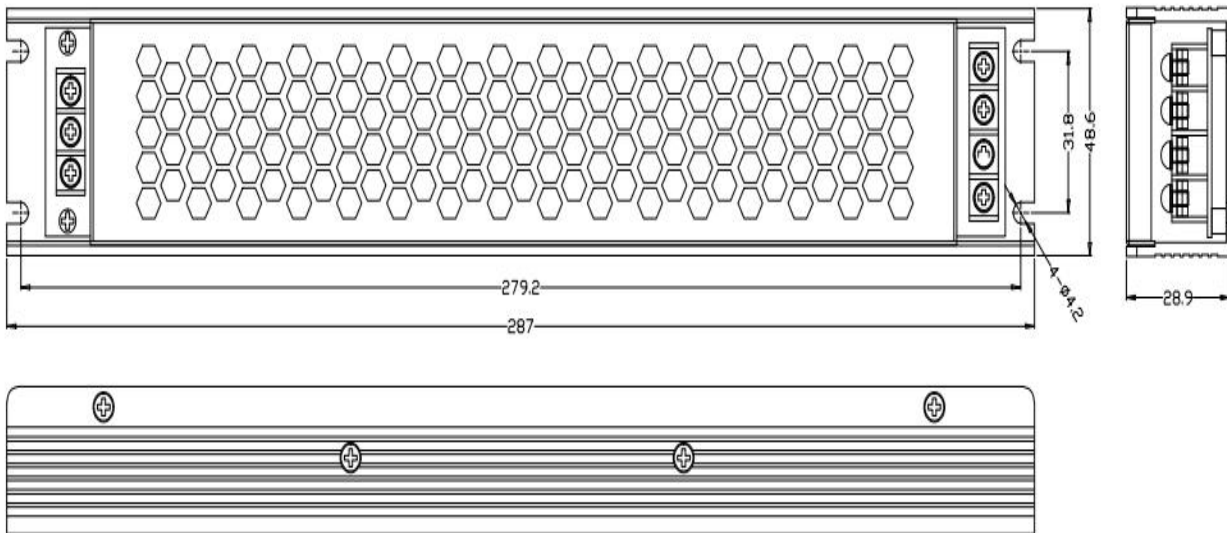
调光曲线图

调光比

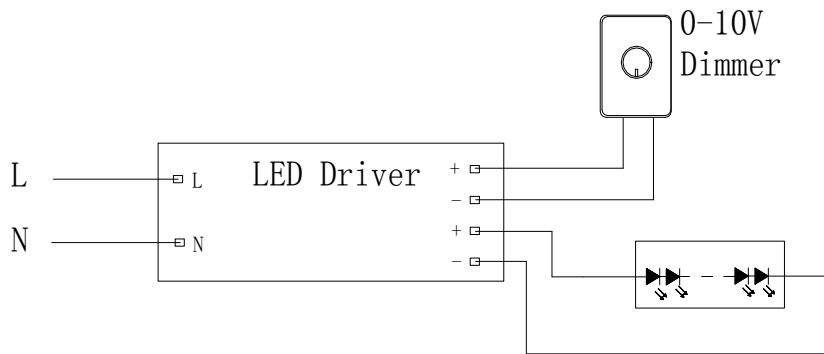


调光信号

产品尺寸图/ Product Size Diagram



产品接线示意图/ Product Connection Diagram



DIMMER为0-10V输入，蓝色线接调光正极，绿色线接调光负极。
红色线接负载正极，黑色线接负载负极。

备注/Note:

- 所有没提及到的参数都是在230V输入，额定负载和在周围温度为25°C的情况下测试的；
All parameters NOT specially mentioned are measured at 230VAC input, rated load and 25 of ambient temperature;
- 本驱动电源是作为一个部件与最终的设备结合进行操作的。因为EMC的性能在电源完全安装后会受到影响，因此最终设备制造商在完成安装后必须重新获取EMC指示认定。
The LED driver is considered as a component that will be operated in combination with final equipment. Since EMC performance will be affected by the complete installation, the final equipment manufacturers must re-qualify EMC Directive on the complete installation again.
- 可以直接与LEDs连接，但不适宜与额外的驱动电源使用；
Direct connecting to LEDs is suggested, but is not suitable for using additional drivers.
- 为了满足在灯具安装中最后的Erp校准要求，本驱动电源只能在一个不是永久地连接在交流干线的开关后面使用。
To fulfill requirements of the latest ErP regulation for lighting fixtures, this LED power supply can only be used behind a switch without permanently connect to the mains.

东莞市领冠半导体照明有限公司

Dongguan Linkuan Semiconductor Lighting Co.,Ltd

地址：广东省东莞市万江区大莲塘工业区3号
Address: NO.3 Building, Daliantang Industrial Park,
Wanjiang District, Dongguan, Guangdong, China
Tel:+86-769-23129651 Fax:+86-23129652