

—产品特性/Feature—



- 200-240VAC(50/60Hz) 输入 / 200-240VAC(50/60Hz) Input
- 隔离方案, (0-10V)调光, 调光流畅, /Isolated,dimmable driver; The dimming smooth;
- 高效率、稳定性好 / High efficiency,good steady;
- 短路保护,过流保护,过压保护,过温保护 / Short circuit,over voltage,over current and over temperature protection;
- 自然风冷 / cooling by free air convection;
- 100%满载老化测试 / 100% full load burn-in test;
- 符合TUV、SAA认证/TUV、SAA meet;
- 独立外置, Class II 恒压类型/Independent, Class II constant voltage type;
- 防护等级 IP44 / degree of protection IP44;
- 适用于灯条、灯带等照明应用 / Suitable for LED strip lighting and so on;
- 3年质保期 / 3 years warranty.



产品参数/Specification

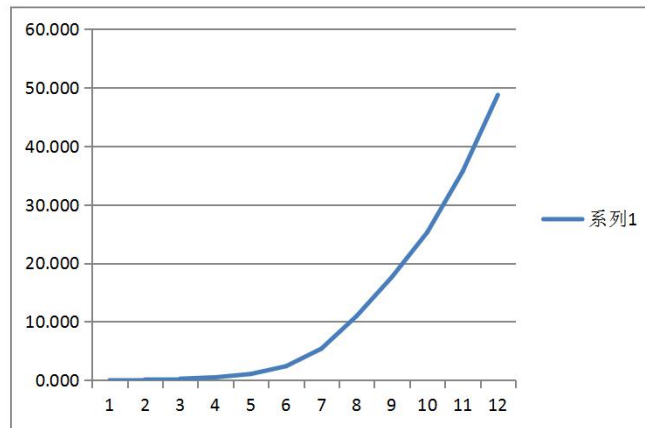
Model	LKAD050V	
输入 Input	AC电压范围/AC Voltage range	200-240V
	频率/Frequency	50/60hz
	谐波/THD	
	功率因数/Power factor	0.58/230VAC
输出 Output	额定电压/Rated voltage	24V
	空载电压/No-load Voltage	24.5V
	DC电压范围/DC voltage range	23.7-24.2V
	DC电流范围/DC current range	2A
	电流精度/Current precision	
	额定功率/Rated power	48W
	开机延时/Setup Time	≤0.5s/230VAC
	纹波系数/Ripple factor	
使用环境 Environment Requirements	工作温度/湿度要求 Operating Temp./RH	-30~+45℃/20~95%
	储存温度,湿度要求 Storage Temp./RH	-40~+80℃/10~95%
安全和电磁兼容	认证情形/Certificate	EN61347-2-13 EN55015
其他	尺寸/Size	L140.3*W47.2*H29.36mm
	重量/Net weight	100g

测试数据/Test data

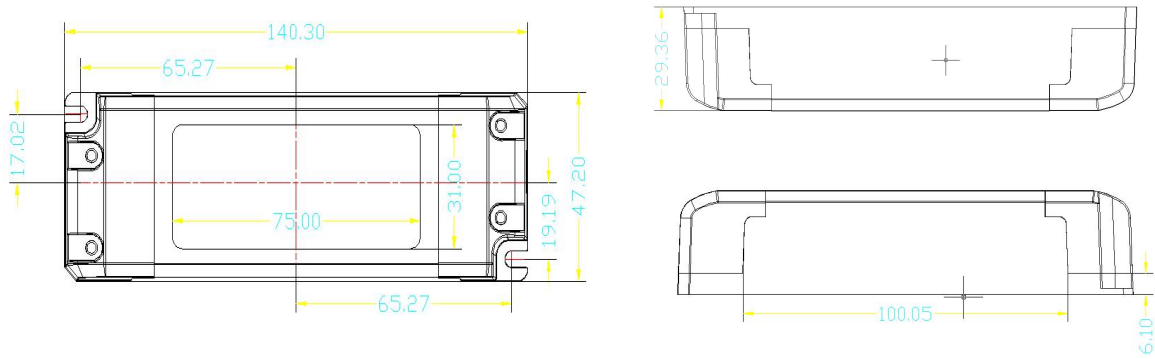
输入电压 Input voltage (Vac)	输入电流 Input current (mA)	输入功率 Input power (W)	功率因数 PF	输出电压 Output voltage (Vdc)	输出电流 Output current (mA)	输出功率 Output Power (W)	转换效率 Efficiency (%)	谐波系数 THD
200	1.06	18.22	0.28	24.23	0	0.00	0.00%	
	27.52	257.10	0.53	24.16	1000	24.16	87.78%	
	54.39	480.40	0.57	24.08	2000	48.17	88.55%	
240	1.07	19.56	0.23	24.23	0	0.00	0.00%	
	27.44	230.70	0.49	24.15	1000	24.16	88.02%	
	53.82	415.80	0.54	24.08	2000	48.16	89.47%	

调光测试数据/Dimming test data

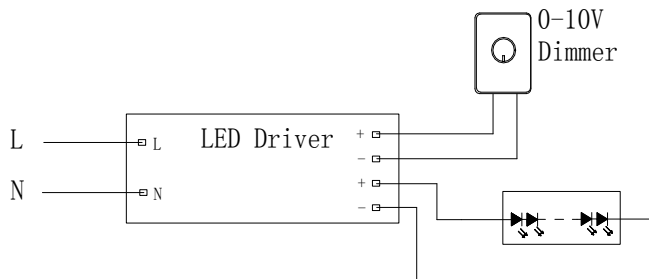
输入电压 (AC)	输入功率(W)	输入电流(MA)	功率因数	输出电压 (V)	输出电流(MA)	输出功率(w)	转换效率	0-10V电压
230	0.97	19.97	0.20	0.00	0	0.000	0.00%	0
230	1.20	22.11	0.23	13.20	9.9	0.131	10.89%	0.5
230	1.49	23.29	0.27	13.30	20.4	0.271	18.21%	1
230	1.93	27.24	0.30	13.40	38.5	0.516	26.73%	2
230	2.99	34.51	0.30	13.60	79.2	1.077	36.02%	3
230	5.61	55.66	0.42	14.10	170.8	2.408	42.93%	4
230	10.26	93.62	0.46	15.10	357.2	5.394	52.57%	5
230	17.15	148.90	0.48	16.60	661.4	10.979	64.02%	6
230	25.60	263.70	0.50	18.30	963.6	17.634	68.88%	7
230	34.27	269.50	0.53	20.00	1262.2	25.244	73.66%	8
230	43.82	332.60	0.56	21.90	1625.4	35.596	81.23%	9
230	54.70	387.60	0.59	24.10	2020.0	48.682	89.00%	10



产品尺寸图/ Product Size Diagram



产品接线示意图/ Product Connection Diagram



备注/Note:

1. 所有没提及到的参数都是在 230V输入，额定负载和在周围温度为 25°C的情况下测试的；
All parameters NOT specially mentioned are measured at 230VAC input, rated load and 25 of ambient temperature;
2. 本驱动电源是作为一个部件与最终的设备结合进行操作的。因为 EMC的性能在电源完全安装后会受到影响，因此最终设备制造商在完成安装后必须重新获取 EMC指示认定。
The LED driver is considered as a component that will be operated in combination with final equipment. Since EMC performance will be affected by the complete installation, the final equipment manufacturers must re-qualify EMC Directive on the complete installation again.
3. 可以直接与 LEDs连接，但不适宜与额外的驱动电源使用；
Direct connecting to LEDs is suggested, but is not suitable for using additional drivers.
4. 为了满足在灯具安装中最后的 Erp校准要求，本驱动电源只能在一个不是永久地连接在交流干线的开关后面使用。
To fulfill requirements of the latest ErP regulation for lighting fixtures, this LED power supply can only be used behind a switch without permanently connect to the mains.

广东领冠智能科技有限公司

Guangdong Linkuan Smart Tech Co.,Ltd.

地址: 广东省东莞市万江区大莲塘工业区 3号
Address: NO.3 Building, Daliantang Industrial Park,
Wanjiang District, Dongguan, Guangdong, China
Tel:+86-769-23129651 Fax:+86-23129652