

Hight PF External LED Driver—LKAD09F



—产品特性/Feature—

- 120-277VAC(50/60Hz)输入/ 120-277VAC(50/60Hz) Input
- 隔离方案, 不调光/Isolated,non-dimmable driver;
- 高效率、高功率因素, 稳定性好/ Hight efficiency,hight PF,good steady;
- 短路保护,过流保护,过压保护,过温保护/ Short circuit,over voltage,over current and over temperature protection;
- 自然风冷/ cooling by free air convection;
- 100%满载老化测试/ 100% full load burn-in test;
- 通过UL、FCC认证/UL、FCC approved;
- 独立外置, Class II 恒流类型/ independent, Class II constant current type;
- 防护等级 IP20/ degree of protection IP20;
- 适用于面板灯/天花灯/筒灯等照明应用/ suitable for LED lighting,ceiling light,down light and panel light;
- 3年质保期/ 3years warranty.



产品参数/Specification

Model		LKAD09F	
输入 Input	输入电压范围/Input Voltage range	120-277V	
	频率/Frequency	50/60hz	
	谐波/THD	≤10%	
	功率因数/Power factor	0.94@240V	
	输入电流 Input current (mA)	65MA	
	待机功耗 stand_by power	≤0.5s/240VAC	
	浪涌电流 Inrush Current (Max.)	≤30A@240VAC	
	漏电流 Leakage Current	<1MA/240V	
输出 Output	额定电压/Rated voltage	42V	
	空载电压/No-load Voltage	46V	
	工作电压范围/working voltage range	20-42V	
	可选择电流规格/selectable current	350MA	
	电压精度/Voltage accuracy	(+/-) 3%	
	额定功率/Rated power	14W	
	开机延时/Setup Time	≤0.5s/230VAC	
	输出线性调整率Output Line Regulation	±5%	
	温度漂移temperature drift	±10%	

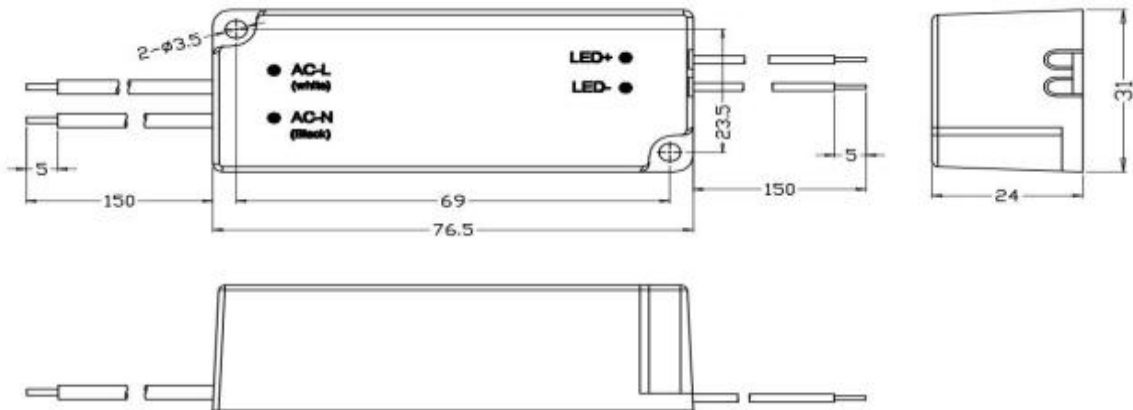
保护特性	开路保护Output open circuit protection	有/Enable	
	短路保护Short Circuit Protection	打嗝模式/Hiccup mode	
使用环境 Environment Requirements	工作温度/湿度要求 Operating Temp./RH	-30~+45°C/20~95%	
	储存温度,湿度要求 Storage Temp./RH	-40~+80°C/10~95%	
安全和电磁兼容 Safety & EMC	认证编号/Certificate	E478938	
	耐压 withstand voltage	1500VAC/60S	
	绝缘阻抗insulation resistance	500V>100M	
	浪涌等级EMS immunity	IEC6100-4-5 (L-N:1KV)	
	安规标准Safety standard	IEC61347-2-13 EN6147-2-	
	电磁干扰electromagnetic interference	Fcc Part15B	
	电磁抗干扰Electromagnetic Susceptibility	Fcc Part15B	
其他 Others	IP等级说明 IP level description	IP20	
	质保说明Warranty instructions	3年/3 years	
	尺寸/Size	76*31*24MM	
	重量/Netweight		
注意事项 matters needing attention	<p>1. 建议客户在灯具供电回路中安装过欠压保护与浪涌保护装置, 以确保用电安全 1. pls suggest the client to install the under voltage protection device and surge protection device to ensure Electricity safety</p> <p>2. 电源作为整灯灯具中的一个零部件与终端设备结合使用, 因EMC性能受LED灯具及走线的影响, 终端设备制造商需对整套装置重新进行EMC确认。 2. The power supply is considered a component which will be installed a final equipment. The final equipment must be re-confirmed that it still meets EMC directives.</p> <p>3. 客户在使用电源时, 注意电源通风散热和环境温度, 超过TA时要做降额使用 3. Be careful of ambient temperature and heat dissipation during the client use this unit, When exceeding TA, the power supply shall be derated</p>		

测试数据/Test data

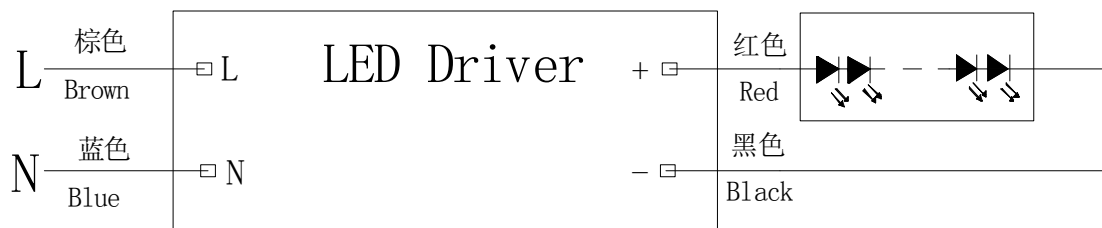
输入电压 Input voltage (Vac)	输入电流 Input current (mA)	输入功率 Input power (W)	功率因数 PF	输出电压 Output voltage (Vdc)	输出电流 Output current (mA)	输出功率 Output Power (W)	转换效率 Efficiency (%)
277	64.80	17.05	0.948	42.000	350	14.70	86.2%
	61.48	16.38	0.945	40.000	350	14.00	85.5%
	56.03	14.45	0.927	35.000	353	12.36	85.5%
	49.68	12.55	0.910	30.000	360	10.80	86.1%
	37.35	8.70	0.838	20.000	350	7.00	80.5%
240	71.38	16.69	0.964	42.000	340	14.28	85.6%
	61.14	14.12	0.952	35.000	343	12.01	85.0%
	53.81	12.25	0.939	30.000	347	10.41	85.0%
	39.42	8.47	0.886	20.000	350	7.00	82.6%

120	133.90	16.27	0.993	42.000	329	13.82	84.9%
	112.70	13.70	0.992	35.000	330	11.55	84.3%
	97.40	11.73	0.990	30.000	330	9.90	84.4%
	67.03	8.01	0.982	20.000	335	6.70	83.6%

产品尺寸图/ Product Size Diagram



产品接线示意图/ Product Connection Diagram



备注/Note:

"1. 所有没提及到的参数都是在120V输入，额定负载和在周围温度为25°C的情况下测试的；
All parameters NOT specially mentioned are measured at 230VAC input, rated load and 25 of ambient temperature;

2.注意接线的方向，不要搞反输入和输出端

Pay attention to the direction of wiring, do not reverse the input and output terminals

广东领冠智能科技有限公司

Guangdong Linkuan Smart Tech Co.,Ltd.

地 址：广东省东莞市万江区大莲塘工业区
3号

Address: NO.3 Building, Daliantang Industrial
Park,

Wanjiang District, Dongguan, Guangdong, China

Tel:+86-769-23129651 Fax:+86-23129652