

0-10V color mixing LED Drivers—LKAD018D-L

—产品特性/Feature—

- 100-240VAC (50/60Hz) 输入 / 100-240VAC (50/60Hz) Input
- 隔离高PF无频闪方案, 0-10V调光, 2.4G射频频遥控控制。
Isolated high PF no stroboscopic scheme, 0-10V dimming, 2.4G RF remote control
- 高效率、高功率因素, 高稳定性, 高调光比
High efficiency, high power factor, high stability, high light ratio
- 短路保护, 过流保护, 过压保护, 过温保护 /
Short circuit, over voltage, over current and over temperature protection;
- 遥控控制性能稳定, 任何角度方向都可以控制。控制距离在空旷地可以达到35米, 在有障碍物的地方可以达到15-20米。
Remote control performance is stable, any angle direction can be controlled. The control distance can be up to 35 meters in open field and 15-20 meters in places with obstacles.
- 独立外置, Class II 恒流类型 / independent, Class II constant current type;
- 防护等级 IP20 / degree of protection IP20;
- 采用自主知识产权单片机控制方案, 可以做到0.1%调光解晰度 /
By adopting the control scheme of single chip microcomputer with independent intellectual property rights, 0.1% dimming resolution can be achieved
lighting, ceiling light, down light and panel light;
- 3年质保期 / 3 years warranty.



产品参数/Specification

Model		LKAD018D-L	备注
输入 Input	输入电压范围/Input Voltage	100-240V	
	频率/Frequency	50/60hz	
	谐波/THD	≤15%	
	功率因数/Power factor	0.95/240VAC	
	输入电流 Input current (mA)	64MA	
	待机功耗 stand_by power	≅0.8W	
	浪涌电流 Inrush Current (Ma)	≅30A@230VAC	
	漏电流 Leakage Current	<1MA/240V	
输出 Output	额定电压/Rated voltage	40V	
	空载电压/No-load Voltage	≅46V	
	工作电压范围/working volta	20-42V	
	可选择电流规格/selectable	300MA	
	电流精度/Current precision	(+/-)3%	
	额定功率/Rated power	12W	
	开机延时/Setup Time	≅0.5s/240VAC	
	输出线性调整率Output Line	±5%	
	温度漂移temperature drift	±10%	

保护特性	开路保护Output open circuit	有/Enable	
	短路保护Short Circuit Protection	打嗝模式/Hiccup mode	
使用环境 Environment Requirements	工作温度/湿度要求 Operating Temp./RH	-30~+45°C/20~95%	
	储存温度,湿度要求 Storage Temp./RH	-40~+80°C/10~95%	
安全和电磁兼容 Safety & EMC	认证编号/Certificate	符合CE/ meet CE	
	耐压 withstand voltage	3750V _{AC} /60S	
	绝缘阻抗insulation resistance	500V>100M	
	浪涌等级EMS immunity	IEC6100-4-5(L-N:1KV)	
	安规标准Safety standard	EN61347, GB19510	
	电磁干扰electromagnetic interference	EN55015, EN61000-3-2	
	电磁抗干扰Electromagnetic immunity	EN61000-4-2. 3. 4. 5. 6. 8. 11. EN61547	
其他 Others	IP等级说明 IP level description	IP20	
	质保说明Warranty instruction	3年/3 years	
	尺寸/Size	122*45*26MM	
	重量/Netweight	100g	
注意事项 matters needing attention	<p>1. 建议客户在灯具供电回路中安装过欠压保护与浪涌保护装置, 以确保用电安全 1. pls suggest the client to install the under voltage protection device and surge protection device to ensure Electricity safety</p> <p>2. 电源作为整灯灯具中的一个零部件与终端设备结合使用, 因EMC性能受LED灯具及走线的影响, 终端设备制造商需对整套装置重新进行EMC确认。 2. The power supply is considered a component which will be installed a final equipment. The final equipment must be re-confirmed that it still meets EMC directives.</p> <p>3. 客户在使用电源时, 注意电源通风散热和环境温度, 超过TA时要做降额使用 3. Be careful of ambient temperature and heat dissipation during the client use this unit, When exceeding TA, the power supply shall be derated</p>		

W-通道测试数据/Test data

输入电压 Input voltage (Vac)	输入电流 Input current (mA)	输入功率 Input power (W)	功率因数 PF	输出电压 Output voltage (Vdc)	输出电流 Output current (mA)	输出功率 Output Power (W)	转换效率 Efficiency (%)
240V	63.30	14.59	0.974	40.00	300	12.00	82.2%
	57.66	13.23	0.970	36.00	300	10.80	81.6%
	49.30	11.21	0.961	30.00	297	8.91	79.5%
	35.87	7.91	0.932	20.00	297	5.94	75.1%
200V	73.19	14.50	0.988	40.00	300	12.00	82.8%
	66.55	13.15	0.986	36.00	300	10.80	82.1%
	56.53	11.14	0.983	30.00	297	8.91	80.0%
	40.24	7.83	0.970	20.00	297	5.94	75.9%

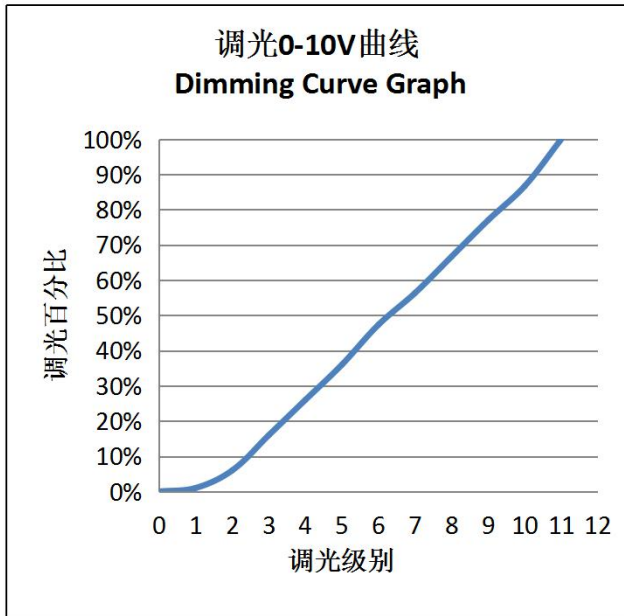
120V	123.20	14.93	0.994	40.00	300	12.00	80.4%
	111.10	13.46	0.996	36.00	300	10.80	80.2%
	93.20	11.29	0.996	30.00	297	8.91	78.9%
	64.87	7.86	0.995	20.00	296	5.92	75.3%

C-通道测试数据/Test data

输入电压 Input voltage (Vac)	输入电流 Input current (mA)	输入功率 Input power (W)	功率因数 PF	输出电压 Output voltage (Vdc)	输出电流 Output current (mA)	输出功率 Output Power (W)	转换效率 Efficiency (%)
240V	63.30	14.59	0.974	40.00	300	12.00	82.2%
	57.66	13.23	0.970	36.00	300	10.80	81.6%
	49.30	11.21	0.961	30.00	297	8.91	79.5%
	35.87	7.91	0.932	20.00	297	5.94	75.1%
200V	73.19	14.50	0.988	40.00	300	12.00	82.8%
	66.55	13.15	0.986	36.00	300	10.80	82.1%
	56.53	11.14	0.983	30.00	297	8.91	80.0%
	40.24	7.83	0.970	20.00	297	5.94	75.9%
120V	123.20	14.93	0.994	40.00	300	12.00	80.4%
	111.10	13.46	0.996	36.00	300	10.80	80.2%
	93.20	11.29	0.996	30.00	297	8.91	78.9%
	64.87	7.86	0.995	20.00	296	5.92	75.3%

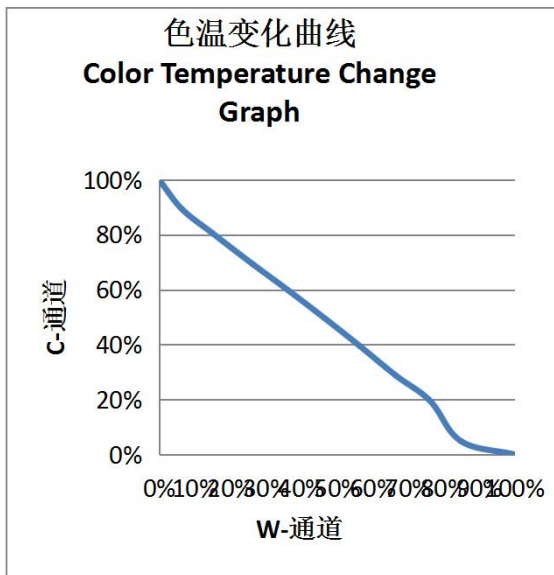
调光测试数据Dimming test data

输入电压 Input voltage (Vac)	输入电流 Input current (mA)	输入功率 Input power (W)	功率因数 PF	输出电压 Output voltage (Vdc)	输出电流 Output current (A)	输出功率 Output Power (W)	调光电压 Dimming voltage (V)	百分比	
240V	18.44	0.93	0.226	36	0.00	0.00	0V	0%	0
240V	19.32	1.09	0.252	36	3.00	0.11	0.5V	1%	1
240V	13.84	1.76	0.56	36	18.00	0.65	1V	6%	2
240V	17.59	2.92	0.745	36	48.00	1.73	2V	16%	3
240V	22.03	4.13	0.842	36	78.00	2.81	3V	26%	4
240V	26.78	5.32	0.891	36	108.00	3.89	4V	36%	5
240V	32.57	6.71	0.927	36	142.00	5.11	5V	47%	6
240V	37.23	7.81	0.943	36	169.00	6.08	6V	56%	7
240V	42.98	9.14	0.956	36	200.00	7.20	7V	67%	8
240V	48.23	10.35	0.965	36	231.00	8.32	8V	77%	9
240V	53.61	11.57	0.971	36	260.00	9.36	9V	87%	10
240V	60.82	13.18	0.975	36	300.00	10.80	10V	100%	11

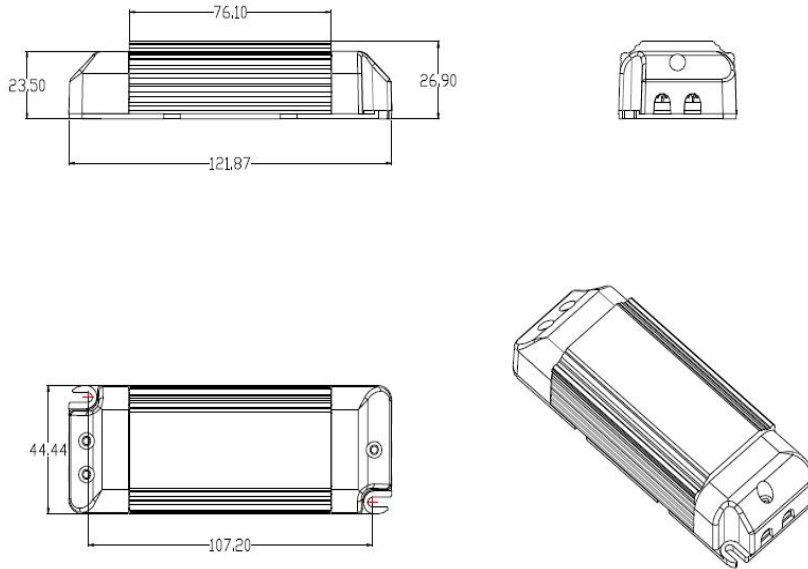


调色测试数据Dimming test data

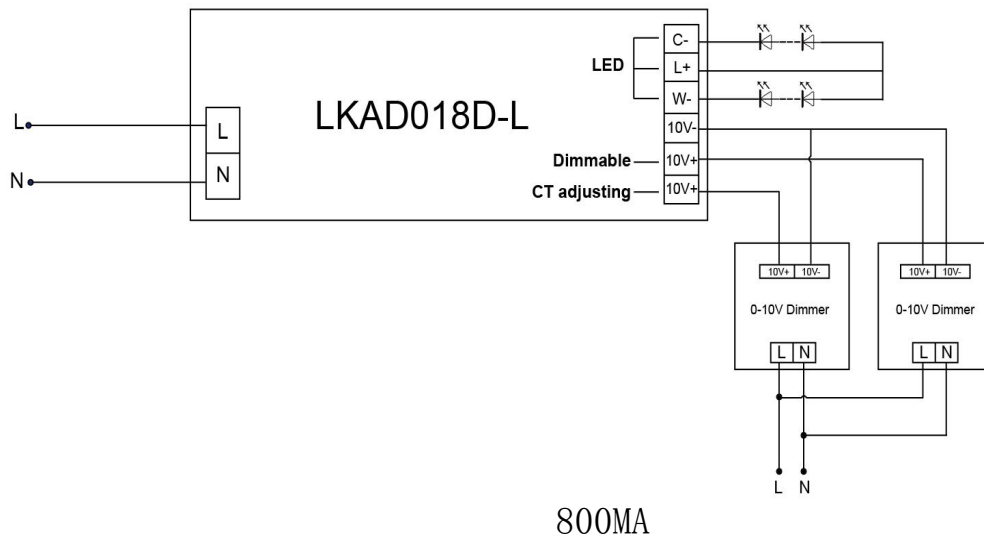
C-通道输入电压 Input voltage (Vac)	C-通道输出电压 Output voltage	C-通道输出电流 Output current (mA)	C-通道百分比	W-通道输入电压 Input voltage	W-通道输出电压 Output voltage (Vdc)	W-通道输出电流 Output current	W-通道百分比
240V	0.5V	0.00	0.00%	240V	0.5V	300.00	100.00%
240V	1V	14.00	4.78%	240V	1V	255.00	85.00%
240V	2V	58.00	19.80%	240V	2V	228.00	76.00%
240V	3V	84.00	28.67%	240V	3V	200.00	66.67%
240V	4V	116.00	39.59%	240V	4V	169.00	56.33%
240V	5V	145.00	49.49%	240V	5V	140.00	46.67%
240V	6V	175.00	59.73%	240V	6V	109.00	36.33%
240V	7V	203.00	69.28%	240V	7V	79.00	26.33%
240V	8V	236.00	80.55%	240V	8V	45.00	15.00%
240V	9V	262.00	89.42%	240V	9V	19.00	6.33%
240V	10V	293.00	100.00%	240V	10V	0.00	0.00%



产品尺寸图/ Product Size Diagram



产品接线示意图/ Product Connection Diagram



备注/Note:

"1. 所有没提及到的参数都是在230V输入，额定负载和在周围温度为25°C的情况下测试的；
All parameters NOT specially mentioned are measured at 230VAC input, rated load and 25 of ambient temperature;

2.注意接线的方向，不要搞反输入和输出端，以及拨码开关的位置。
Pay attention to the direction of wiring, do not reverse the input and output terminals, and the position of the dip switch."

东莞市领冠半导体照明有限公司

Dongguan Linkuan Semiconductor Lighting

地址：广东省东莞市万江区大莲塘工业区3号

Address: NO.3 Building, Daliantang Industrial Park,

Wanjiang

District, Dongguan, Guangdong, China

Tel: +86-769-23129651

Fax: +86-23129652