

# Dimmable LED Drivers—LKAD012D-H



### —产品特性/Feature—

- 100-120VAC (50/60Hz) 输入 / 100-120VAC (50/60Hz) Input
- 隔离方案, 前切 (或后切) / 电子式, 可控硅调光, 调光非常流畅/Isolated, leading (or trailing)/MOS triac dimming, dimming much smoothly;
- 高效率、高功率因素, 稳定性好/ High efficiency, high PF, good steady;
- 短路保护, 过流保护, 过压保护, 过温保护/ Short circuit, over voltage, over current and over temperature protection;
- 100%满载老化测试 / 100% full load burn-in test;
- 兼容市面上绝大部分调光控制系统 (98%以上)。Compatible with most dimming control systems on the market
- 独立外置, Class II 恒流类型 / independent, Class II constant current type;
- 防护等级 IP20 / degree of protection IP20;
- 采用自主知识产权单片机控制方案, 可以做到0.1%调光解晰度 / By adopting the control scheme of single chip microcomputer with independent intellectual property rights, 0.1% dimming resolution can be achieved lighting, ceiling light, down light and panel light;
- 3年质保期 / 3 years warranty.



## 产品参数/Specification

Model		LKAD012D-H	
输入 Input	输入电压范围/Input Voltage range	100-120V	
	频率/Frequency	50/60hz	
	谐波/THD	≤10%	
	功率因数/Power factor	0.98/120VAC	
	输入电流 Input current (mA)	145MA	
	待机功耗 stand_by power	≤0.5W/120VAC	
	浪涌电流 Inrush Current (Max.)	≤15A@120VAC	
	漏电流 Leakage Current	<1MA/120V	
输出 Output	额定电压/Rated voltage	40V	
	空载电压/No-load Voltage	≤46V	
	工作电压范围/working voltage range	27-40V	
	额定电流规格/Rated current specification	300mA	
	电流精度/Current precision	(+/-) 5%	
	额定功率/Rated power	12W	
	开机延时/Setup Time	≤0.5s/120VAC	
	输出线性调整率Output Line Regulation	±5%	
	温度漂移temperature drift	±10%	

保护特性	开路保护Output open circuit protection	有/Enable	
	短路保护Short Circuit Protection	打嗝模式/Hiccup mode	
使用环境 Environment Requirements	工作温度/湿度要求 Operating Temp./RH	-30~+45°C/20~95%	
	储存温度,湿度要求 Storage Temp./RH	-40~+80°C/10~95%	
安全和电磁兼容 Safety & EMC	认证编号/Certificate	符合CE/ meet CE	
	耐压 withstand voltage	3750MA/60S	
	绝缘阻抗insulation resistance	500V>100M	
	浪涌等级EMS immunity	IEC6100-4-5 (L-N:1KV)	
	安规标准Safety standard	EN61347, GB19510	
	电磁干扰electromagnetic interference	EN55015, EN61000-3-2	
	电磁抗干扰Electromagnetic Susceptibility	EN61000-4-2. 3. 4. 5. 6. 8. 11. EN61547	
其他 Others	IP等级说明 IP level description	IP20	
	质保说明Warranty instructions	3年/3 years	
	尺寸/Size	Dia65xH26mm	
	重量/Netweight	105g	
注意事项 matters needing attention	<p>1. 建议客户在灯具供电回路中安装过欠压保护与浪涌保护装置, 以确保用电安全 1. pls suggest the client to install the unde voltage protection device and surge protection device to ensure Electricity safety</p> <p>2. 电源作为整灯灯具中的一个零部件与终端设备结合使用, 因EMC性能受LED灯具及走线的影响, 终端设备制造商需对整套装置重新进行EMC确认。 2. The power supply is considered a component which will be installed a final equipment. The final equipment must be re-confirmed that it still meets EMC directives.</p> <p>3. 客户在使用电源时, 注意电源通风散热和环境温度, 超过TA时要做降额使用 3. Becareful of ambient temperature and heat dissipation during the client use this unit, When exceeding TA, the power supply shall be derated</p>		

### 测试数据/Test data

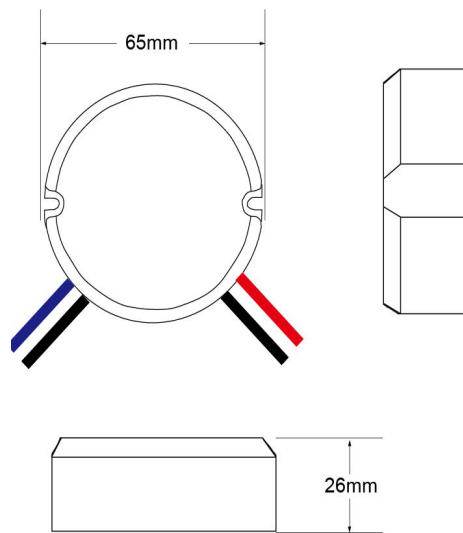
输入电压 Input voltage ( Vac)	输入电流 Input current ( mA)	输入功率 Input power ( W)	功率因数 PF	输出电压 Output voltage ( Vdc)	输出电流 Output current ( mA)	输出功率 Output Power ( W)	转换效率 Efficiency (%)
100V	144.30	14.49	0.992	40.00	300	12.00	82.8%
	126.50	12.58	0.990	35.00	303	10.61	84.3%
	98.71	9.77	0.986	27.00	301	8.13	83.2%
120V	116.50	11.64	0.989	40.00	298	11.92	102.4%
	102.60	12.19	0.987	35.00	297	10.40	85.3%
	80.77	9.53	0.980	27.00	300	8.10	85.0%

调光测试效果Dimming effect

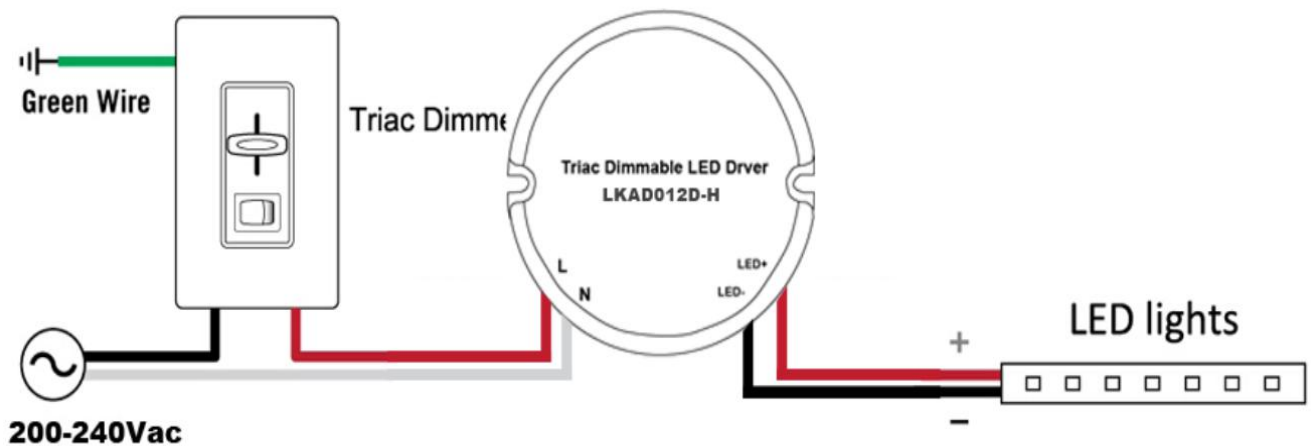
(负载带灯测试/Load with lamp test)

编号 NO	调光器型号 Dimmer Type	最小电流 Min current	最大电流 Max current(mA)	调光比 Dimming ratio	调光效果 Dimming effect
1	LEVITON 666 150W	0mA	300mA	0-100%	OK
2	TCL-004 800W	0mA	300mA	0-100%	OK
3	LC211 300W	0mA	300mA	0-100%	OK
4	TLC-003 300W	0mA	300mA	0-100%	OK
5	LUTRON-TTCL-100 250W	0mA	300mA	0-100%	OK
6	DINNER SB-1 600W	0mA	300mA	0-100%	OK

产品尺寸图/ Product Size Diagram



产品接线示意图/ Product Connection Diagram



备注/Note:

"1. 所有没提及到的参数都是在120V输入，额定负载和在周围温度为25°C的情况下测试的；  
All parameters NOT specially mentioned are measured at 120VAC input, rated load and 25 of ambient temperature;

2.注意接线的方向，不要搞反输入和输出端

Pay attention to the direction of wiring, do not reverse the input and output terminals

**广东领冠智能科技有限公司**

**Guangdong Linkuan Smart Tech Co.,Ltd**

地 址：广东省东莞市万江区大莲塘工业区3号

Address: NO.3 Building, Daliantang Industrial Park,

Wanjiang

District,Dongguan,Guangdong,China