



# Dimmable LED Drivers—LKAD09D-T



## —产品特性/Feature—

- 120-277VAC (50/60Hz) 输入/120-277VAC (50/60Hz) Input
- 业界首创兼容前切（或后切）宽电压输入可控硅调光，且调光非常流畅，无抖动，无频闪/Isolated, leading (or trailing) triac dimming, dimming much smoothly;
- 实现高PF无频闪，实现了整个调光范围内动态无频闪。Realize high PF without stroboscopic, realize dynamic stroboscopic in the whole dimming range.
- 高效率、高功率因素，稳定性好/ High efficiency, high PF, good steady;
- 独立外置，Class II 恒流类型/ independent, Class II constant current type;
- 短路保护，过流保护，过压保护，过温保护/ short circuit/over load/over current/ over temperature protection;
- 100%满载老化测试/ 100% full load burn-in test;



## 产品参数/Specification

Model		LKAD09D-T	
输入 Input	输入电压范围/Input Voltage range	120-277V	
	频率/Frequency	50/60hz	
	谐波/THD	≤10%	
	功率因数/Power factor	0.99/120VAC	
	输入电流 Input current (mA)	110MA	
	待机功耗 stand_by power	≤0.5W/120VAC	
	浪涌电流 Inrush Current (Max.)	≤15A@120VAC	
	漏电流 Leakage Current	<1MA/240V	
输出 Output	额定电压/Rated voltage	27V	
	空载电压/No-load Voltage	≤35V	
	工作电压范围/working voltage range	15-27V	
	可选择电流规格/selectable current	110-350mA	
	电流精度/Current precision	(+/-)5%	
	额定功率/Rated power	10W	
	开机延时/Setup Time	≤0.5s/230VAC	
	输出线性调整率Output Line Regulation	±5%	
	温度漂移temperature drift	±10%	
保护特性	开路保护Output open circuit protection	有/Enable	
	短路保护Short Circuit Protection	打嗝模式/Hiccup mode	

使用环境 Environment Requirements	工作温度/湿度要求 Operating Temp./RH	-30~+45℃/20~95%	
	储存温度,湿度要求 Storage Temp./RH	-40~+80℃/10~95%	
安全和电磁兼容 Safety & EMC	认证编号/Certificate	E478938	
	耐压 withstand voltage	1500VAc/60S	
	绝缘阻抗insulation resistance	500V>100M	
	浪涌等级EMS immunity	IEC6100-4-5(L-N:1KV)	
	安规标准Safety standard	IEC61347-2-13 EN6147-2-13	
	电磁干扰electromagnetic interference	Fcc Part15B	
	电磁抗干扰Electromagnetic Susceptibility	Fcc Part15B	
其他 Others	IP等级说明 IP level description	IP65	
	质保说明Warranty instructions	3年/3 years	
	尺寸/Size	76*31*24	
	重量/Netweight	105g	
注意事项 matters needing attention	<p>1. 建议客户在灯具供电回路中安装过欠压保护与浪涌保护装置, 以确保用电安全 1.pls suggest the client to instal the unde voltage protection device and surge protection device to ensure Electricity safety</p> <p>2. 电源作为整灯灯具中的一个零部件与终端设备结合使用, 因EMC性能受LED灯具及走线的影响, 终端设备制造商需对整套装置重新进行EMC确认。 2.The power supply is considered a component which will be installed a final equipment.The final equipment must be re-confirmed that it still meets EMC directives.</p> <p>3. 客户在使用电源时, 注意电源通风散热和环境温度, 超过TA时要做降额使用 3.Becareful of ambient temperature and heat dissipation during the client use this unit, When exceeding TA, the power supply shall be derated</p>		

### 测试数据/Test data

输入电压 Input voltage ( Vac)	输入电流 Input current ( mA)	输入功率 Input power ( W)	功率因数 PF	输出电压 Output voltage ( Vdc)	输出电流 Output current ( mA)	输出功率 Output Power ( W )	转换效率 Efficiency (%)
120V	102.60	12.27	0.992	27.00	349	9.42	76.8%
	89.47	10.61	0.990	23.00	353	8.12	76.5%
	63.24	7.43	0.990	15.00	364	5.46	73.5%
240V	56.29	12.68	0.992	27.00	355	9.59	75.6%
	50.39	11.17	0.992	23.00	360	8.28	74.1%
	36.93	7.75	0.863	15.00	360	5.40	69.7%
277V	50.35	12.58	0.905	27.00	341	9.20	73.1%
	45.45	11.11	0.884	23.00	349	8.03	72.3%
	35.80	8.10	0.817	15.00	369	5.54	68.3%

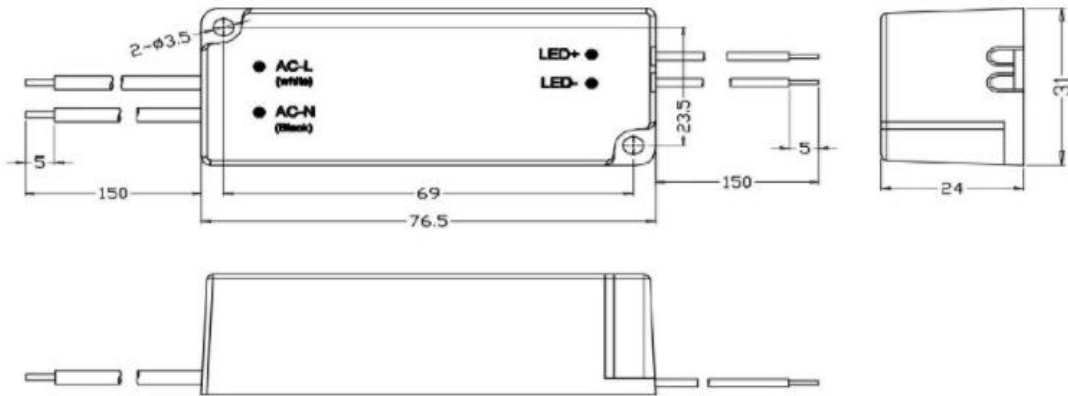
### 调光测试效果Dimming effect

(负载50V测试/Test load voltage 50V)

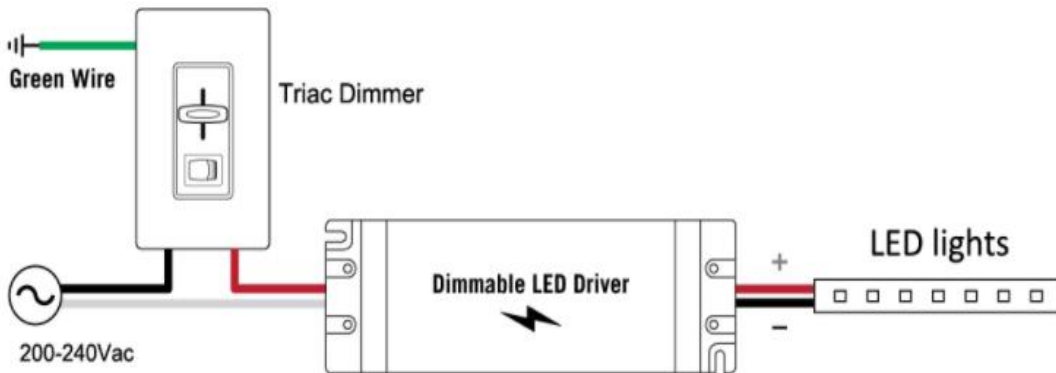
编号 NO	调光器型号 Dimmer Type	最小电流 Min current	最大电流 Max current(mA)	调光比 Dimming ratio	调光效果 Dimming effect
1	LEVITON 666 150W	3MA	340MA	0.9-100%	OK
2	TCL-004 800W	19MA	340MA	6-100%	OK

3	LC211 300W	8MA	337MA	3-100%	OK
4	TLC-003 300W	20MA	337MA	6-100%	OK
5	LUTRON-TTCL-100 250W	32MA	338MA	10-100%	OK
6	DINNER SB-1 600W	0MA	339MA	0-100%	OK

产品尺寸图/ Product Size Diagram



产品接线示意图/ Product Connection Diagram



备注/Note:

"1. 所有没提及到的参数都是在230V输入，额定负载和在周围温度为25°C的情况下测试的；  
All parameters NOT specially mentioned are measured at 230VAC input, rated load and 25 of ambient temperature;

2.注意接线的方向，不要搞反输入和输出端

广东领冠智能科技有限公司

Dongguan Linkuan Semiconductor Lighting

地 址：广东省东莞市万江区大莲塘工业区3号  
Address: NO.3 Building, Daliantang Industrial Park,  
Wanjiang

District, Dongguan, Guangdong, China

Tel: +86-769-23129651 Fax: +86-23129652