



## —产品特性/Feature—

- 100-264VAC(50/60Hz)输入 / 100-264VAC(50/60Hz) Input
- 隔离方案, 不调光/Isolated,non-dimmable driver;
- 高效率、高功率因素, 稳定性好/ Hight efficiency,hight PF,good steady;
- 短路保护,过流保护,过压保护,过温保护/ Short circuit,over voltage,over current and over temperature protection;
- 自然风冷/ cooling by free air convection;
- 100%满载老化测试/ 100% full load burn-in test;
- 通过 CCC认证/ CCC approved;
- 独立外置, Class II 恒流类型/ independent, Class II constant current type;
- 防护等级 IP20/ degree of protection IP20;
- 适用于面板灯/天花灯/筒灯等照明应用/ suitable for LED lighting,ceiling light,down light and panel light;
- 3年质保期/ 3 years warranty.



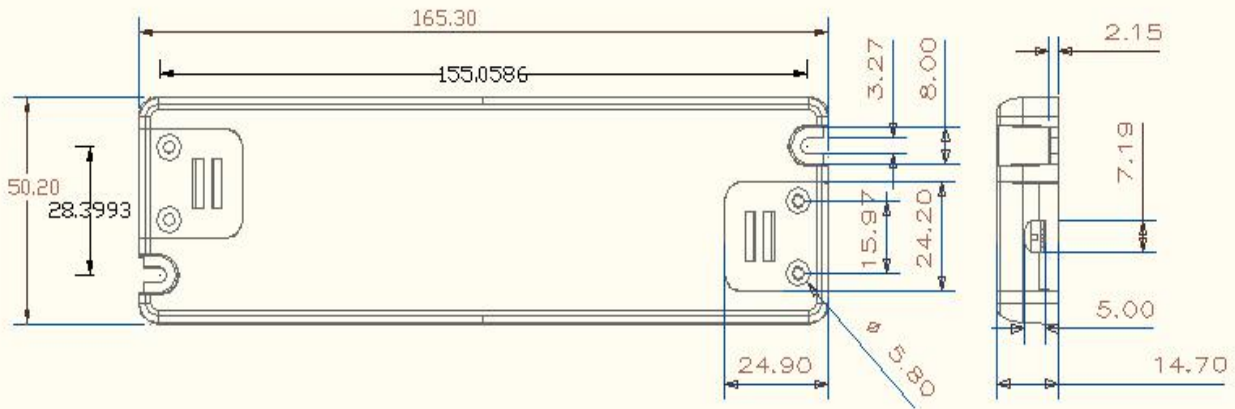
## 产品参数/Specification

Model	LKAD048F		
输入 Input	AC电压范围/AC Voltage range	100-264V	
	频率/Frequency	50/60hz	
	谐波/THD		
	功率因数/Power factor	0.96/230VAC	
输出 Output	额定电压/Rated voltage	37v	
	空载电压/No-load Voltage	45V	
	DC电压范围/DC voltage range	26-42V	
	DC电流范围/DC current range	750-1000mA	
	电流精度/Current precision	(±)5%	
	额定功率/Rated power	40W	
	开机延时/Setup Time	≤0.5s/230VAC	
使用环境 Environment Requirements	工作温度/湿度要求 Operating Temp./RH	-30~+45°C/20~95%	
	储存温度,湿度要求 Storage Temp./RH	-40~+80°C/10~95%	
安全和电磁兼容	认证编号/Certificate	CCC:	CB:
			SAA:
其他	尺寸/Size		
	重量/Net weight		

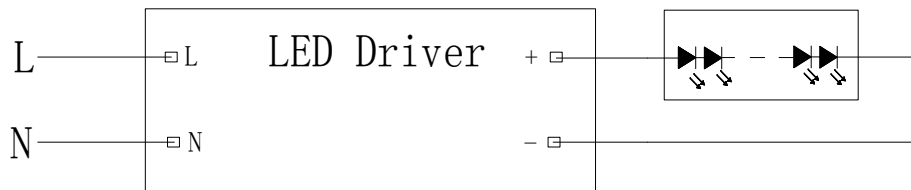
测试数据/Test data

输入电压 Input voltage (Vac)	输入电流 Input current (mA)	输入功率 Input power (W)	功率因数 PF	输出电压 Output voltage (Vdc)	输出电流 Output current (mA)	输出功率 Output Power (W)	转换效率 Efficiency (%)	谐波系数 THD
100	413.90	46.01	0.999	40.00	998	39.92	86.8%	
	370.00	41.25	0.990	36.00	990	35.64	86.4%	
	306.40	34.37	0.990	30.00	986	29.58	86.1%	
230	194.00	45.17	0.972	40.00	1000	40.00	88.6%	
	173.60	40.12	0.963	36.00	990	35.64	88.8%	
	147.80	33.47	0.950	30.00	980	29.40	87.8%	
264	174.02	43.86	0.955	40.00	980	39.20	89.4%	
	156.60	39.34	0.947	36.00	970	34.92	88.8%	
	133.30	32.75	0.926	30.00	968	29.04	88.7%	

产品尺寸图/ Product Size Diagram



产品接线示意图/ Product Connection Diagram



备注/Note:

1. 所有没提及到的参数都是在230V输入，额定负载和在周围温度为25°C的情况下测试的；  
All parameters NOT specially mentioned are measured at 230VAC input, rated load and 25 of ambient temperature;
2. 本驱动电源是作为一个部件与最终的设备结合进行操作的。因为EMC的性能在电源完全安装后会受到影响，因此最终设备制造商在完成安装后必须重新获取EMC指示认定。  
The LED driver is considered as a component that will be operated in combination with final equipment. Since EMC performance will be affected by the complete installation, the final equipment manufacturers must re-qualify EMC Directive on the complete installation again.
3. 可以直接与LEDs连接，但不适宜与额外的驱动电源使用；  
Direct connecting to LEDs is suggested, but is not suitable for using additional drivers.
4. 为了满足在灯具安装中最后的ErP校准要求，本驱动电源只能在一个不是永久地连接在交流干线的开关后面使用。  
To fulfill requirements of the latest ErP regulation for lighting fixtures, this LED power supply can only be used behind a switch without permanently connect to the mains.

东莞市领冠半导体照明有限公司

Dongguan Linkuan Semiconductor Lighting Co.,Ltd

地 址：广东省东莞市万江区大莲塘工业区3号  
Address: NO.3 Building, Daliantang Industrial Park,  
Wanjiang District,Dongguan,Guangdong,China  
Tel:+86-769-23129651 Fax:+86-23129652