

—产品特性/Feature—



- 100-277VAC(50/60Hz)输入/ 100-277VAC(50/60Hz) Input
- 隔离方案, 不调光/Isolated,non-dimmable driver;
- 高效率、高功率因素, 稳定性好/ High efficiency,high PF,good steady;
- 短路保护,过流保护,过压保护,过温保护/ Short circuit,over voltage,over current and over temperature protection;
- 自然风冷/ cooling by free air convection;
- 100%满载老化测试/ 100% full load burn-in test;
- 通过SAA、CCC认证/SAA、CCC approved;
- 独立外置, Class II 恒流类型/ independent, Class II constant current type;
- 防护等级 IP20/ degree of protection IP20;
- 适用于面板灯/天花灯/筒灯等照明应用/ suitable for LED lighting,ceiling light,down light and panel light;
- 3年质保期/ 3 years warranty.



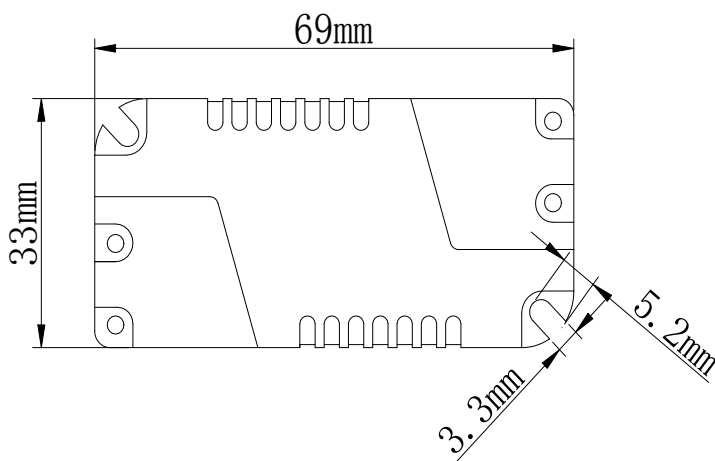
产品参数/Specification

Model		LKAD06F	
输入 Input	AC电压范围/AC Voltage range	100-277V	
	频率/Frequency	50/60hz	
	谐波/THD		
	功率因数/Power factor	0.93/230VAC	
输出 Output	额定电压/Rated voltage	30V	
	空载电压/No-load Voltage	36V	
	DC电压范围/DC voltage range	12-30V	
	DC电流范围/DC current range	270-310mA	
	电流精度/Current precision	(+/-) 5%	
	额定功率/Rated power	9W	
	开机延时/Setup Time	≤0.5s/230VAC	
使用环境 Environment Requirements	工作温度/湿度要求 Operating Temp./RH	-30~+45°C/20~95%	
	储存温度,湿度要求 Storage Temp./RH	-40~+80°C/10~95%	
安全和电磁兼容	认证编号/Certificate	TUV:085-130324901-000	
		CCC:2015011002833866	
其他	尺寸/Size	L69*W33*H22mm	
	重量/Net weight	39g	

测试数据/Test data

输入电压 Input voltage (Vac)	输入电流 Input current (mA)	输入功率 Input power (W)	功率因数 PF	输出电压 Output voltage (Vdc)	输出电流 Output current (mA)	输出功率 Output Power (W)	转换效率 Efficiency (%)	谐波系数 THD
100	50.60	5.00	0.988	14.00	290	4.06	81.2%	
	68.80	6.84	0.993	20.00	281	5.62	82.2%	
	89.60	8.91	0.994	27.00	272	7.34	82.4%	
120	42.50	5.02	0.979	14.00	292	4.09	81.4%	
	57.30	6.81	0.987	20.00	282	5.64	82.8%	
	73.80	8.84	0.991	27.00	272	7.34	83.1%	
230	27.40	5.39	0.850	14.00	301	4.21	78.2%	
	34.20	7.14	0.900	20.00	288	5.76	80.7%	
	42.00	9.07	0.931	27.00	276	7.45	82.2%	
277	26.50	5.66	0.765	14.00	306	4.28	75.7%	
	31.60	7.36	0.837	20.00	291	5.82	79.1%	
	37.60	9.30	0.888	27.00	278	7.51	80.7%	

产品尺寸图/ Product Size Diagram



产品接线示意图/ Product Connection Diagram



备注/Note:

1. 所有没提及到的参数都是在230V输入，额定负载和在周围温度为25°C的情况下测试的；
All parameters NOT specially mentioned are measured at 230VAC input, rated load and 25 of ambient temperature;
2. 本驱动电源是作为一个部件与最终的设备结合进行操作的。因为EMC的性能在电源完全安装后会受到影响，因此最终设备制造商在完成安装后必须重新获取EMC指示认定。
The LED driver is considered as a component that will be operated in combination with final equipment. Since EMC performance will be affected by the complete installation, the final equipment manufacturers must re-qualify EMC Directive on the complete installation again.
3. 可以直接与LEDs连接，但不适宜与额外的驱动电源使用；
Direct connecting to LEDs is suggested, but is not suitable for using additional drivers.
4. 为了满足在灯具安装中最后的ErP校准要求，本驱动电源只能在一个不是永久地连接在交流干线的开关后面使用。
To fulfill requirements of the latest ErP regulation for lighting fixtures, this LED power supply can only be used behind a switch without permanently connect to the mains.

东莞市领冠半导体照明有限公司

Dongguan Linkuan Semiconductor Lighting Co.,Ltd

地 址：广东省东莞市万江区大莲塘工业区3号

Address: NO.3 Building, Daliantang Industrial Park,

Wanjiang District,Dongguan,Guangdong,China

Tel:+86-769-23129651

Fax:+86-23129652