

## —产品特性/Feature—



- 100-265VAC (50/60Hz) 电压输入, 符合国际通用交流输入范围/ 100-265VAC (50/60Hz) Input, comply with alternating current input range all over the world;
- 隔离方案/ Isolated;
- 高效率、高功率因素, 稳定性好/ High efficiency, high PF, good steady;
- 短路保护, 过流保护, 过压保护, 过温保护/ short circuit/over load/over current/ over temperature protection;
- 自然风冷/ cooling by free air convection;
- 100%满载老化测试/ 100% full load burn-in test;
- 独立外置, Class II 恒流类型/ independent, Class II constant current type;
- 防护等级 IP20/ degree of protection IP20;
- 适用于面板灯/天花灯/筒灯等照明应用/ suitable for LED lighting, ceiling light, down light and panel light;
- 5年质保期/ 5 years warranty.



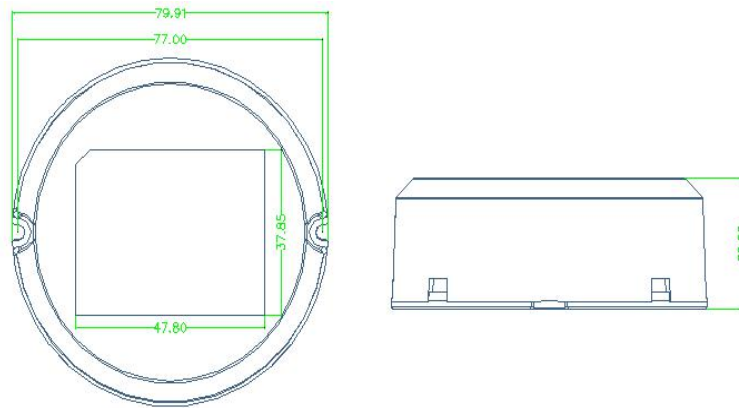
## 产品参数/Specification

Model	LKAD038V	
输出 Output	电压/Rated vol	12V
	空载电压/No-load	
	DC电压范围/DC	12V
	DC电流范围/DC	2.5A
	电流精度/Current	(+/-) 1%
	额定功率/Rated	30W
	开机延时/Setup	
输入 Input	AC电压范围/AC	100-265Vac
	频率/Frequency	50/60hz
	谐波/THD	
	功率因数/Power	0.56/230VAC
使用环境 Environment Requirements	工作温度/湿度 要求	-30~+50°C/20~95%
	储存温度, 湿度 要求	-40~+80°C/10~95%
安全和电磁兼容	认证编号/Certi	IEC61347-2-13 EN6147-2-13
	安全规范/Safety	
	电磁兼容/EMC	
	耐压/Withstand	
其他	尺寸/Size	
	重量/Net weigh	

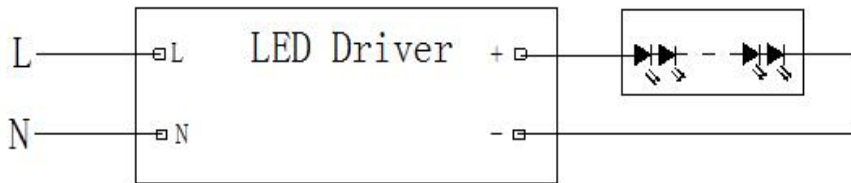
测试数据/Test data

输入电压 Input voltage (Vac)	输入电流 Input current (mA)	输入功率 Input power (W)	功率因数 PF	输出电压 Output voltage (Vdc)	输出电流 Output current (mA)	输出功率 Output Power (W)	转换效率 Efficiency (%)	谐波系数 THD
110	310.30	21.54	0.621	12.28	1500	18.42	85.5%	
	395.70	28.86	0.658	12.26	2000	24.52	85.0%	
	491.70	36.30	0.670	12.23	2500	30.58	84.2%	
240	183.10	21.42	0.494	12.28	1500	18.42	86.0%	
	237.10	28.39	0.493	12.26	2000	24.52	86.4%	
	288.90	35.38	0.502	12.23	2500	30.58	86.4%	
265	179.30	21.42	0.449	12.28	1500	18.42	86.0%	
	224.60	28.26	0.472	12.26	2000	24.52	86.8%	
	271.50	35.16	0.488	12.24	2500	30.60	87.0%	

产品尺寸图/ Product Size Diagram



产品接线示意图/ Product Connection Diagram



备注/Note:

- 所有没提及到的参数都是在230V输入，额定负载和在周围温度为25℃的情况下测试的；  
All parameters NOT specially mentioned are measured at 230VAC input, rated load and 25 of ambient temperature;
- 本驱动电源是作为一个部件与最终的设备结合进行操作的。因为EMC的性能在电源完全安装后会受到影响，因此最终设备制造商在完成安装后必须重新获取EMC指示认定。  
The LED driver is considered as a component that will be operated in combination with final equipment. Since EMC performance will be affected by the complete installation, the final equipment manufacturers must re-qualify EMC Directive on the complete installation again.
- 可以直接与LEDs连接，但不适宜与额外的驱动电源使用；  
Direct connecting to LEDs is suggested, but is not suitable for using additional drivers.

